



WhisperPowerBook

Generators & Power System Solutions

Commercial Mobile

Recreational Mobile

Offgrid



Enjoy Green Energy

whisperpower.com



Work trucks



Fire protection



Defence



Motorhomes

The certainty of non-stop offgrid power
Anywhere, any time,
 under the most challenging conditions



Containerized



Medical

Contents

	Page
I Generating Power	
The Whisperpower approach	4
II Select the technology of your choice	6/7
III Genverter – adjustable speed Generators	8
• AC Generator – Genverter Elite Indoor	10
• AC Generator – Genverter Elite Outdoor	12
• AC Generator – Genverter Twin/ Parallel	16
• DC Generator – Hybrid Principle	20
IV Fixed RPM Generators	22
• W-SQ Pro Super Quiet series 1500/1800 rpm	24
• W-SQ Pro 40 CR 1500/1800 rpm	28
• AtlasGO Ready-to-use generators	30
• Installation examples	32
V Installation accessories	34
• Top-cool roof radiators	34
• Side mounting radiators	35
• Silencer/exhaust accessories	36
• Original service kits	37
• Cooling radiator selection guide	38
• Remote panel selection guide	39
VI Hybrid System Configurations – OctoPower	40
VII Company Profile	42

The information contained in this catalogue is for general information purposes only. While we endeavour to keep the information up to date and correct, we cannot be held responsible for alterations of specifications of products over time.

Generating Power | the WhisperPower approach

Smaller, lighter, quieter and cleaner

WhisperPower is an innovative company committed to providing the best solutions for grid-independent marine, mobile and offgrid power systems. We manufacture compact and supersilent generators that comply with the most strongest emission norms (Stage V for Europe, EPA Tier 4 for North America).

Our Genverter inverter based adjustable speed generators are internationally recognized as the most fuel efficient, compact and silent solution to provide on board power. With an extreme accurate output power quality at providing either single phase (230 VAC 50/60 Hz, 100-120 VAC 50/60 Hz) or three phase output voltage. Our 1500/1800 rpm style generators are the best in it's class, offering super silent non-stop power to all on board single or three phase appliance.

Stage V certified

Diesel power generators, as used nowadays, are not very efficient because they are often partially loaded, are over dimensioned and are not equipped with engines that meet current emission standards such as Stage V. Regulations regarding diesel generators for mobile use are becoming more stringer. Not only the emission standard (Stage V is a must) but also the noise level is a central theme.

One-stop-shop

WhisperPower is your one-stop shop for the entire system including all necessary electrical components. The WhisperPower adviser, reseller or installer provides, from the outset, system advice demonstrated on a schematic in which all components are included. Once ordered and delivered, systems equipped with an inverter, charger system, battery and a diesel generator are inspected and commissioned ensuring you are assured of a well-functioning system with no weak links.

Hybrid variants

We have developed a solution against wasting energy which is cost saving at the same time: our OctoPower range of low-to-zero emission power systems are smart, integrated power systems for yachts and commercial craft that include battery/ inverter power provision. Explore our website and discover our extended range of OctoPower products and systems. www.whisperpower.com.

Diagnostics (WhisperCare)

The integration of these various technical systems in to the WhisperPower monitoring and control system enables streamlined and efficient monitoring with one panel. WhisperCare enables remote login to the WhisperPower system with smart phone, tablet or PC over WiFi/ router package with SIM card, available as an option for a WhisperPower system.

Service & support on location

The representatives in our network will provide you with service and technical support in case of repairs or malfunctions. Where possible they will help you on site, wherever you may be in the world. Your nearest dealer can be found on our dealer locator which is available on our website.



whisperpower.com/where-to-buy

The technology of your choice: Adjustable Speed

ADJUSTABLE
SPEED

Our Genverter® range of compact generators combines the latest diesel engine technology with a new way of producing electrical power. Instead of adding an alternator with fixed speed on the back of the fly-wheel, we have designed a very compact permanent magnet alternator (PM), located just behind the engine. As a result, these systems are much smaller and lighter compared to traditional generators. The generator RPM can be fixed to a position offering the optimal balance between RPM, output power, audible noise and vibration.



Go
to page
8

The technology of your choice: Fixed Speed

FIXED
SPEED
1500/1800

Our quiet running, low speed diesel generators are engineered and produced in our factory in Friesland, the Netherlands. These 1500/1800 RPM Super Quiet (SQ) Pro sets are designed for non-stop operation under harsh circumstances in commercial and recreational environments. We utilize top class engines compliant to the latest emission standards which includes Stage V for Europe and Tier 4 for North America.



Go
to page
22

Genverter® Range 2 | 3 cylinder Indoor versions

ADJUSTABLE
SPEED

Following the world wide success of the Scalino 4, 1 cylinder Genverter® variable speed generator, we have extended our Genverter range to power ratings up to 15 kVA. Perfect in size and weight, super silent and virtually vibration free.

Compact, silent and light weight

- Modern, low emission diesel engine
- Emission level: Stage V, EPA – Tier 4 as standard
- Compact, super noise-damping polyester sound guard
- Available power ratings 8, 10, 12 15, (18 kVA coming up)
- 230 V 50 Hz or 120 V 60 Hz, adjustable by user

Extremely energy efficient

- Efficiency of 96% instead of 75% (traditional systems)
- Lower fuel costs
- Rotating speed can be set to load demand
- External PMG inverter providing the perfect sine wave
- Maximum stability of the Hz at load/ no load and rpm variations

Choose from AC or DC variations

- AC single phase with PMG inverter
- DC versions with 1,2 or 3 DC PowerCubes, fast chargers (24 or 48 VDC)
- Charge power perfect for lithium batteries
- DC system includes land to system charging
- Charge power from 4.3 kW - 13 kW



Indoor

Essential Remote Communication

WhisperConnect for linking with other devices and USB interface for eventual uploads. Analogue remote controls and cables supplied as standard, digital Touch panels are optional.



Supplied as standard with a DDC panel and a DDC connection box



5 or 7 inch Touch control panel with extended information and remote access (optional)



Total System Solution: Hybrid power system with Lithium batteries (24 VDC) and 14 kVA inverter (230 VAC 50 Hz). Back -up/ fast charging by Elite 10/ and DC PowerCube super chargers of 8.6 kW power.



Compact design - Elite 8, 6.4 kW

Low emission, water cooled engine

Only the best 2 & 3 cylinder engines are applied: long lasting, reliable, silent engines, complying with EPA / Tier 4 (USA standard) and Stage V (European standard). The engine and PM alternator back-end are connected into one cooling circuit and kept on a constant temperature via the radiator fan.

Optimal sound and vibration control

A robust polyester sound guard, optimal tuning of rpm vs power rating and effective engine mounting inside the enclosure result in a audible noise level of less than 55 dBA and virtually no vibration.

Perfect power

WhisperPower's PMG inverter incorporates two main functions: this robust, electronic device converts the generated power (input) into a pure sine wave with fixed Hz (output). The rotating speed is programmable from 2000 to 2800 rpm, select the rotating speed for the needed power. The PMG power inverter is also the power management device, offering full read-out via WhisperConnect to the Touch panel. Voltage and frequencies can be selected.

Works with any electrical appliance

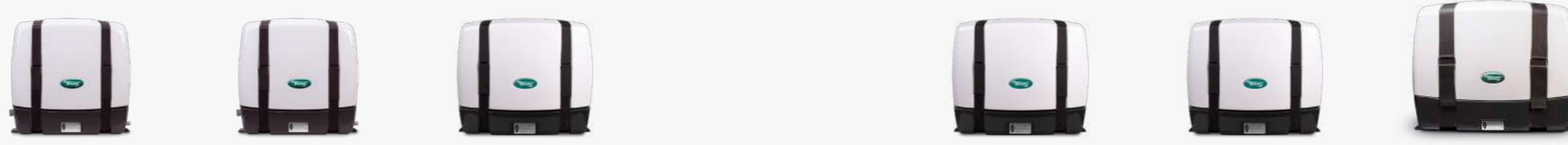
The combination of a perfect sine wave with the lowest distortion and a precise and constant frequency enables any AC electrical device to operate smoothly. A/C's, cooking hobs, compressors, heavy duty tools, computer installations, sound installations, this will all work perfectly.

One-stop-shop

We provide complete installation kits ensuring a qualified, long lasting installation. These include radiator cooling and exhaust kits, battery starting kits and fuel supply systems.



Choice out of roof, side or under-floor radiators



	ELITE 8 - 230 VAC / 50 Hz	ELITE 8 - 120 VAC / 60 Hz	ELITE 10 - 230 VAC / 50 Hz	ELITE 10 - 120 VAC / 60 Hz	ELITE 12- 230 VAC / 50 Hz	ELITE 15- 230 VAC / 50 Hz
Art. Nr.	49005420	49005425	49009420	49009425	49006420	49007020
MAIN SPECIFICATIONS						
Intermittent Power kW at 25°C (77°F)	6.4 kW	6 kW	8.5 kW	8.5 kW	9.6 kW	12.5 kW
Continuous Power kVA at 25°C (77°F)	8 kVA	6 kVA	10 kVA	10 kVA	10 kVA	15 kVA
Continuous Power kW at 25°C (77°F)	6 kW	6 kW	8 kW	8 kW	9 kW	12 kW
Noise level	51 dB(A) at 7 m, 60 dB(A) at 1 m	51 dB(A) at 7 m, 60 dB(A) at 1 m	51 dB(A) at 7 m, 60 dB(A) at 1 m	51 dB(A) at 7 m, 60 dB(A) at 1 m	54 dB(A) at 7 m, 65 dB(A) at 1 m	54 dB(A) at 7 m, 65 dB(A) at 1 m
RPM range	2400 .. 2800 rpm, adjustable	2400 .. 2800 rpm, adjustable	2400 .. 2800 rpm, adjustable	2400 .. 2800 rpm, adjustable	2200 .. 3600 rpm, adjustable	2200 .. 3200 rpm, adjustable
Alternator technology	Permanent Magnet	Permanent Magnet	Permanent Magnet	Permanent Magnet	Permanent Magnet	Permanent Magnet
Generator cooling	Liquid cooled	Liquid cooled	Liquid cooled	Liquid cooled	Liquid cooled	Liquid cooled
Generator control	DDC	DDC	DDC	DDC	DDC	DDC
Control Panel	DDC Local + DDC Remote	DDC Local + DDC Remote	DDC Local + DDC Remote	DDC Local + DDC Remote	DDC Local + DDC Remote	DDC Local + DDC Remote
Inverter Module	WP-PMG frame 2	WP-PMG frame 2	WP-PMG frame 2	WP-PMG frame 3	WP-PMG frame 2	WP-PMG frame 3
Nominal voltage / frequency	230 VAC, 50 / 60 Hz	120 VAC, 50 / 60 Hz	230 VAC, 50 / 60 Hz	230 VAC or 240 / 120 VAC, 50 / 60 Hz	230 VAC, 50 / 60 Hz	230 VAC or 240 / 120 VAC, 50 / 60 Hz
Phase/wire	1 phase, 3 wires	1 phase, 3 wires	1 phase, 3 wires	1 phase, 3 wires or split phase, 4 wires	1 phase, 3 wires	1 phase, 3 wires or split phase, 4 wires
Peak power 2 s	200%	200%	200%	200%	200%	200%
Harmonic distortion	< 3%	< 3%	< 3%	< 3%	< 3%	< 3%
Frequency tolerance	± 0.1%	± 0.1%	± 0.1%	± 0.1%	± 0.1%	± 0.1%
DIESEL ENGINE SPECIFICATIONS						
Engine	WhisperPower Kubota Z482	WhisperPower Kubota Z482	WhisperPower Kubota D722	WhisperPower Kubota D722	WhisperPower Kubota D722	WhisperPower Kubota D1105
Displacement	479 cc	479 cc	719 cc	719 cc	719 cc	1123 cc
Cylinders	2	2	3	3	3	3
Bore & stroke	67 x 68 mm	67 x 68 mm	67 x 68 mm	67 x 68 mm	67 x 68 mm	78 x 78.4 mm
Compression ratio	23.5	23.5	23.5	23.5	24.0	24.0
Air consumption	< 0.63 m ³ /min	< 0.63 m ³ /min	< 0.94 m ³ /min	< 0.94 m ³ /min	< 1.47 m ³ /min	< 1.47 m ³ /min
Cooling system	Radiator	Radiator	Radiator	Radiator	Radiator	Radiator
Fuel consumption (no load - full load)	1.7-2.5 l/hr	1.7-2.5 l/hr	2.6-3.8 l/hr	2.6-3.8 l/hr	4.2-5.6 l/hr	4.2-5.6 l/hr
Starter battery charge method current	Alternator 12 V/12.5 A	Alternator 12 V/12.5 A	Alternator 12 V/12.5 A	Alternator 12 V/12.5 A	Alternator 12 V/12.5 A	Alternator 12 V/40 A
DIMENSIONS & WEIGHT						
Length x width x height (cabinet)	660 x 550 x 622 mm	660 x 550 x 622 mm	740 x 550 x 622 mm	740 x 550 x 622 mm	740 x 550 x 622 mm	875 x 570 x 690 mm
Length x width x depth (PMG)	436 x 196 x 148 mm	490 x 198 x 188 mm	490 x 198 x 188 mm	542 x 384 x 257 mm	490 x 198 x 188 mm	542 x 384 x 257 mm
Dry weight (cabinet + PMG)	155 kg + 9.9 kg	155 kg + 9.9 kg	175 kg + 9.9 kg	175 kg + 30 kg	175 kg + 9.9 kg	210 kg + 30 kg
Exhaust type	R 1 inch, dry	R 1 inch, dry	R 1 inch, dry	R 1 inch, dry	R 1 inch, dry	R 1.5 inch, dry
Max. operating angle	25° in all directions	25° in all directions	25° in all directions	25° in all directions	25° in all directions	25° in all directions
OPTIONAL						
	2 nd start/stop panel, Touch panel 5/7" 2 nd start/stop panel, Touch panel 5/7" 2 nd start/stop panel, Touch panel 7"			2 nd start/stop panel, Touch panel 7" 2 nd start/stop panel, Touch panel 7"		2 nd start/stop panel, Touch panel 7"
	Oil sump heating			Oil sump heating		Oil sump heating

ESSENTIAL ACCESSOIRES



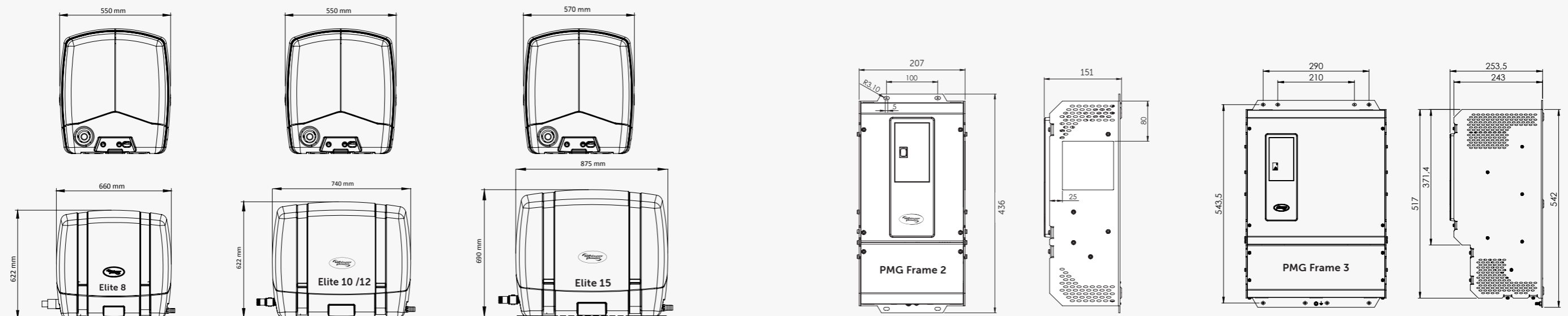
All Elite models are delivered as standard with a comprehensive start/stop remote control panel and 6 meters of connection cable with telejack connectors. 5, 7 or 10 inch Touch panels are optional.

PMG inverter with professional terminal connections for cables in/out and communication incl. CAN.



WP Starter battery installation kit < 100 Ah. Art. Nr. 40290106

Installation Dimensions



Genverter® Range 1 | 2 | 3 cylinder Outdoor version

ADJUSTABLE
SPEED
AC
OUTPUT

WhisperPower offers a unique range of high-quality diesel generators for outdoor use. They can be exposed to harsh circumstances and are ideal for example as a power system for vehicles that only have space under the floor, or in any other outside location. The units are constructed from high-quality stainless steel sound shields with easily accessible connections for the exhaust system, the radiator cooling system, the fuel supply and the electrical cables. The Scalino 4 is the smallest of the range, followed by the Elite Outdoor 8 and 15 kVA models.



Small, powerful and silent: Scalino Outdoor

The WhisperPower Genverter® Scalino Outdoor is the smallest, quietest and most powerful of its kind. Thanks to the electronic PMG inverter output, it delivers the ideal power quality for any electrical device including small air-conditioning systems, work tools, computers etc. The Scalino can also be used to charge lead-acid or lithium batteries by connecting AC/DC battery charging devices or inverter/charger combinations. (Use of WhisperPower chargers and combi's recommended).

Unique Inverter Technology

The Scalino and Elite Outdoor generators are a combination of a diesel engine with a flywheel integrated alternator and an inverter, hence the name Genverter. Key feature of this technology is the quality of the output combined with the surge power capability. Within a certain window of the rotating speed of the diesel engine, the PMG delivers the correct power quality to operate electrical equipment, such as tools, compressors, airconditioning, electrical cooking devices and various other AC appliances.

Ready to install

The Outdoor diesel generators come complete with all the fittings needed to connect the generator to the fuel tank, the engine to the cooling system, cables to connect the starter engine to the starter battery and electrical wiring to connect the Scalino Outdoor to external electrical power system. The PMG inverter has to be installed separately from the generator in a dry location.



Scalino 3.4 kVA Genverter



Outdoor 8 kVA Genverter



Radiator & Top-Cool



PMG Inverter



Supplied as standard with DDC panel and DDC connection box



5 or 7 Touch control panel with extended information and remote access

Stage V Certification for all models

The Genverter generators meet the Stage V exhaust emission requirement, legally obligatory for generators used in Europe in vehicles and movable objects. For the Scalino, Stage V certification is optional. The Elite Outdoor models are also compliant to EPA Tier 4 emission standard.

Optimal sound and vibration control

A robust polyester sound guard, optimal tuning of rpm vs power rating and effective engine mounting inside the enclosure result in a audible noise level of less than 55 dBA and virtually no vibration.

Works with any electrical appliance

The combination of a perfect sine wave with the lowest distortion and a precise and constant frequency enables any AC electrical device to operate smoothly. A/C's, cooking hobs, compressors, heavy duty tools, computer installations, sound installations, this will all work perfectly.

Air/water-cooled concept

The Scalino engine, designed by WhisperPower, has a unique cooling principle. The engine is cooled by its own lubrication oil which is circulating through a closed system in which a cooling radiator is integrated. The oil (hence the engine) is kept at a constant temperature by a fan blowing outside air through the radiator. Our 2/3 cylinder models are liquid cooled, cooling is done by a roof or side installed radiator system.

Perfect power

WhisperPower's PMG inverter incorporates two main functions: this robust, electronic device converts the generated power (input) into a pure sine wave with fixed Hz (output). The rotating speed is programmable from 2000 to 2800 rpm (3400 max for the Scalino model), select the rotating speed for the needed power. The PMG power inverter is also the power management device, offering full read-out via WhisperConnect to the Touch panel. Voltage and frequencies can be selected.

Essential Remote Communication

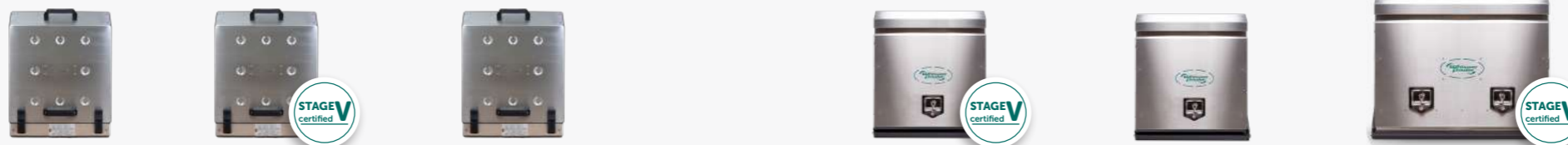
WhisperConnect connection for interconnection with other devices and USB interface eventual uploads. Analogue remote controls and cables supplied as standard, digital Touch panels are optional.

One-stop-shop

We provide complete installation kits ensuring a qualified, long lasting installation. These include radiator cooling and exhaust kits, battery starting kits and fuel supply systems.

Technical Specifications Scalino | Elite Outdoor

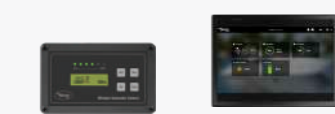
ADJUSTABLE
SPEED
AC
OUTPUT



Art. Nr.	44002020	44002020-STV	44002025	44005420	44005420	49007020
MAIN SPECIFICATIONS						
Intermittent Power kW at 25°C (77°F)	3.5 kW	3.0 kW	3.0 kW	6.4 kW	6 kW	12.5 kW
Continuous Power kVA at 25°C (77°F)	4.4 kVA	3.4 kVA	4 kVA	8 kVA	6 kVA	15 kVA
Continuous Power kW at 25°C (77°F)	3 kW	2.8 kW	3 kW	6 kW	6 kW	12 kW
Noise level	54 dB(A) at 7 m, 65 dB(A) at 1 m	54 dB(A) at 7 m, 65 dB(A) at 1 m	54 dB(A) at 7 m, 65 dB(A) at 1 m	59 dB(A) at 7 m, 77 dB(A) at 1 m	59 dB(A) at 7 m, 77 dB(A) at 1 m	54 dB(A) at 7 m, 65 dB(A) at 1 m
RPM range	2400 - 3600 rpm adjustable	2400 - 3600 rpm adjustable	2400 - 3600 rpm adjustable	2400 - 2800 rpm, adjustable	2400 - 2800 rpm, adjustable	2200 - 3200 rpm, adjustable
Alternator technology	Permanent Magnet	Permanent Magnet	Permanent Magnet	Permanent Magnet	Permanent Magnet	Permanent Magnet
Generator cooling	Air cooled	Air cooled	Air cooled	Radiator/Liquid cooled	Radiator/Liquid cooled	Liquid cooled
Generator control	DDC (2x)	DDC (2x)	DDC (2x)	DDC	DDC	DDC
Control Panel	DDC Local + DDC Remote	DDC Local + DDC Remote	DDC Local + DDC Remote	DDC Local + DDC Remote	DDC Local + DDC Remote	DDC Local + DDC Remote
Inverter Module	WP-PMG frame 2 (2x)	WP-PMG frame 1 Plus	WP-PMG frame 1 Plus	WP-PMG frame 2	WP-PMG frame 2	WP-PMG frame 3
Nominal voltage / frequency	230 VAC - 50/60 Hz	230 VAC - 50/60 Hz	120 VAC - 60 Hz	230 VAC, 50 / 60 Hz	230 VAC, 50 / 60 Hz	230 VAC or 240 / 120 VAC, 50 / 60 Hz
Phase/wire	1 phase, 3 wires	1 phase, 3 wires	1 phase, 3 wires	1 phase, 3 wires (or split phase, 4 wires)	1 phase, 3 wires (or split phase, 4 wires)	1 phase, 3 wires or split phase, 4 wires
Peak power 2 s	200%	200%	200%	200%	200%	200%
Harmonic distortion	< 5%	< 5%	< 5%	< 3%	< 3%	< 3%
Frequency tolerance	± 0,1%	± 0,1%	± 0,1%	± 0.1%	± 0.1%	± 0.1%
DIESEL ENGINE SPECIFICATIONS						
Engine	WhisperPower WP1	WhisperPower WP1	WhisperPower WP1	WhisperPower Kubota Z482	WhisperPower Kubota Z482	WhisperPower Kubota D1105
Displacement	309 cc	309 cc	309 cc	479 cc	479 cc	1123 cc
Cylinders	1	1	1	2	2	3
Bore & stroke	78 x 76 mm	78 x 76 mm	78 x 76 mm	67 x 68 mm	67 x 68 mm	78 x 78.4 mm
Compression ratio	21:1	21:1	21:1	23.5	23.5	24.0
Air consumption	< 0.42 m ³ /min (per unit)	< 0.42 m ³ /min (per unit)	< 0.42 m ³ /min (per unit)	< 0.95 m ³ /min	< 0.95 m ³ /min	< 1.47 m ³ /min
Cooling system	Oil tube cooler	Oil tube cooler	Oil tube cooler	Radiator	Radiator	Radiator
Fuel consumption (no load - full load)	0.8-1.2 l/hr (per unit)	0.8-1.2 l/hr (per unit)	0.8-1.2 l/hr (per unit)	1.7-2.5 l/hr	1.7-2.5 l/hr	4.2-5.6 l/hr
Starter battery charge method current	Handy charger 12 V/7A	Handy charger 12 V/7A	Handy charger 12 V/7A	Alternator 12 V/12.5 A	Alternator 12 V/12.5 A	Alternator 12 V/40 A
DIMENSIONS & WEIGHT						
Length x width x height (cabinet)	510 x 410 x 490 mm	510 x 450 x 490 mm	510 x 450 x 490 mm	742 x 597 x 670 mm	741 x 597 x 670 mm	736 x 907 x 741
Length x width x depth (PMG)	490 x 198 x 188 mm	490 x 198 x 188 mm	490 x 198 x 188 mm	490 x 198 x 188 mm	490 x 198 x 188 mm	542 x 384 x 257 mm
Dry weight (cabinet + PMG)	77 kg + 9.9 kg	75 kg + 9.9 kg	75 kg + 9.9 kg	200 kg + 9.9 kg	200 kg + 9.9 kg	210 kg + 30 kg
Exhaust type	R 1 inch, dry	R 1 inch, dry	R 1 inch, dry	R 1 inch, dry	R 1 inch, dry	R 1.5 inch, dry
Max. operating angle	25° in all directions	25° in all directions	25° in all directions	25° in all directions	25° in all directions	25° in all directions
OPTIONAL						
	2 nd start/stop panel, Touch panel 7"	2 nd start/stop panel, Touch panel 7"	2 nd start/stop panel, Touch panel 7"	2 nd start/stop panel, Touch panel 7"	2 nd start/stop panel, Touch panel 7"	2 nd start/stop panel, Touch panel 7"
				Crankcase heating	Crankcase heating	Crankcase heating

Elite 10 & 12
also available as outdoor version

ESSENTIAL ACCESSOIRES



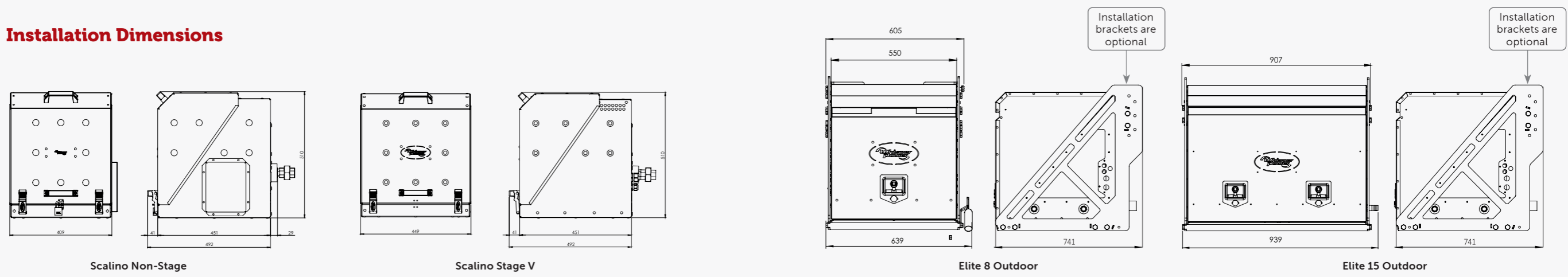
All Elite models are delivered as standard with a comprehensive start/stop remote control panel and 6 meters of connection cable with telejack connectors. DDC or 5, 7 inch Touch panels are optional.

The Scalino models are supplied as standard with a compact start/stop panel, supplied with 6 mtrs cable to plug into the PMG inverter box. We offer our Touch 5 panel as an option, showing more extended information.



WP Starter battery installation kit < 100 Ah. Art. Nr. 40290106

Installation Dimensions



Twin Diesel Genverter®

Double the power, reduce fuel and maintenance costs

A complete range of compact, adjustable speed single phase AC diesel generators based on inverter technology, our new Twin-Power range. The upgraded Genverter range can now be delivered with parallel connectivity which is adding just a fraction to the price but offering huge advantages.

Cost saving and redundant

This Twin-Power concept is offering at least 25% of fuel saving compared with traditional generators, as the units will follow the required AC power consumption pattern (low mode, high mode). Traditional power generator systems are in general oversized in order to be able to deliver the peak of power consumption which on average general has a short duration. By installing two Genverter generators in parallel, one unit can be switched off during low power consumption periods. Very important advantage of the power solution is the redundancy of power sources offered by this solution.



Scalino Twin configuration

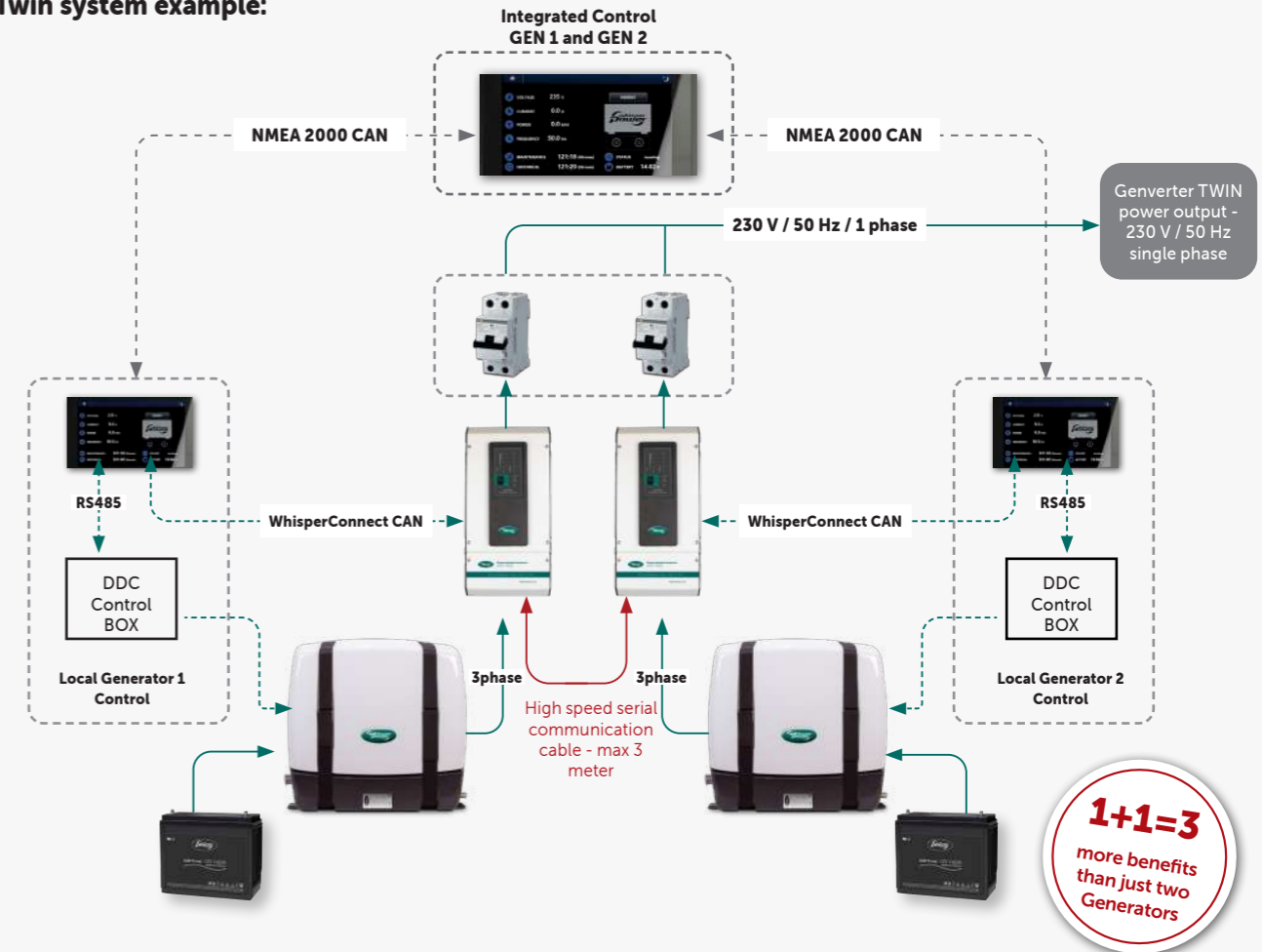


Elite Twin configuration

Easy to install & configure

Our Twin-Power® solution allows you to parallel two WhisperPower Genverter generators with a single high speed communication wire. No extra boxes with oversized switch gear are needed, or other costly add-ons. Just install two generators instead of one traditional product and connect the PMG inverters plus the AC outputs to double the AC Power.

Twin system example:



Important system benefits

Traditional fixed speed generators are chosen in general in oversize, based on the peak load power requirements. This often means they are oversized for their normal operation running load. With the Twin-Power solution, the AC appliances are powered by one or two engines. As a result of our Genverter variable speed inverter technology, the engines are running in their most fuel efficient operation area which results in the following benefits:

- ① Double the power, if needed, for example day time (high A/C consumption)
- ② Reduce the power during the night, switch back to one running engine
- ③ Optimized voltage & frequency stabilization ensures excellent power quality
- ④ Optimized noise level and vibration level is guaranteed
- ⑤ Engines are running cleaner with less fuel consumption
- ⑥ Compact Genverter technology offering substantial space saving
- ⑦ New emission level Stage V compliant also in higher kVA range (30 kVA/24 kW)
- ⑧ Redundancy, always one power source for spare

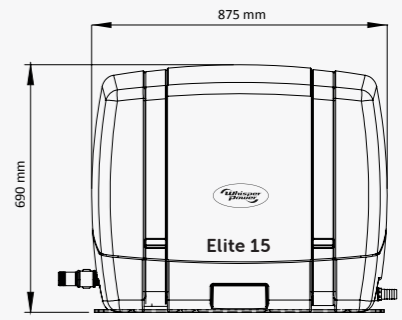
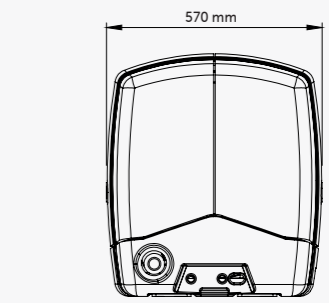
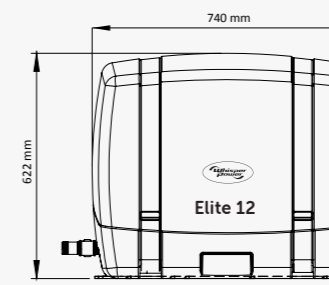
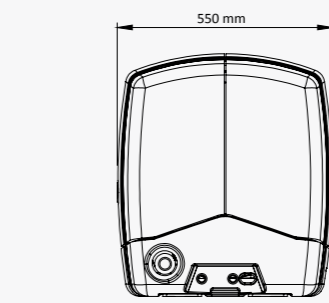
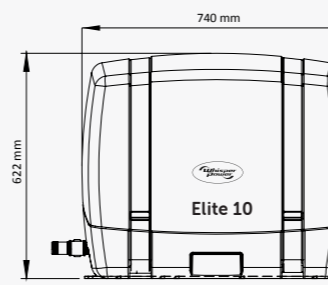
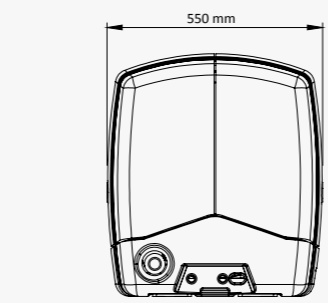
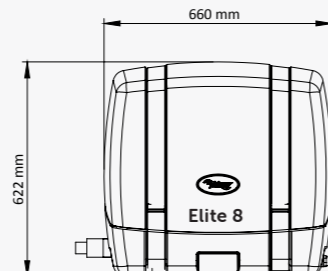
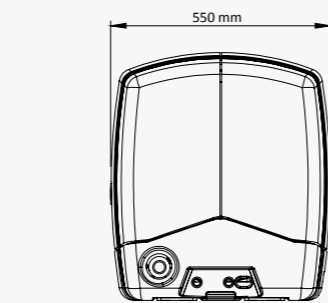
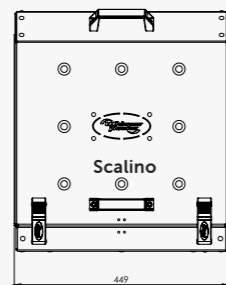
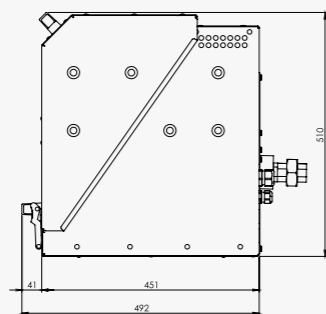
Technical Specifications Genverter Twin



	SCALINO TWIN 4+4	ELITE TWIN 8+8	ELITE TWIN 10+10	ELITE TWIN 12+12	ELITE TWIN 15+15
Art. Nr.	44002080	49005480	49009480	49006480	49007480
MAIN SPECIFICATIONS	TWIN MODE	TWIN MODE	TWIN MODE	TWIN MODE	TWIN MODE
Intermittent Power kW at 25°C (77°F)	7 kW	12.8 kW	17 kW	19.2 kW	25 kW
Continuous Power kVA at 25°C (77°F)	8.8 kVA	16 kVA	20 kVA	20 kVA	30 kVA
Continuous Power kW at 25°C (77°F)	6 kW	12 kW	16 kW	18 kW	24 kW
Noise level	54 dB(A) at 7 m, 65 dB(A) at 1 m	51 dB(A) at 7 m, 60 dB(A) at 1 m	51 dB(A) at 7 m, 60 dB(A) at 1 m	54 dB(A) at 7 m, 65 dB(A) at 1 m	54 dB(A) at 7 m, 65 dB(A) at 1 m
RPM range	2400 .. 3600 rpm adjustable	2400 .. 2800 rpm, adjustable	2400 .. 2800 rpm, adjustable	2200 .. 3600 rpm, adjustable	2200 .. 3600 rpm, adjustable
Alternator technology	Permanent Magnet	Permanent Magnet	Permanent Magnet	Permanent Magnet	Permanent Magnet
Generator cooling	Air cooled	Liquid cooled	Liquid cooled	Liquid cooled	Liquid cooled
Generator control	DDC (2x)	DDC (2x)	DDC (2x)	DDC (2x)	DDC (2x)
Control Panel	DDC Local + DDC Remote	DDC Local + DDC Remote	DDC Local + DDC Remote	DDC Local + DDC Remote	DDC Local + DDC Remote
Inverter Module	WP-PMG frame 2 (2x)	WP-PMG frame 2 (2x)	WP-PMG frame 2 (2x)	WP-PMG frame 2 (2x)	WP-PMG frame 3 (2x)
Twin Power Communication Cable	Max. 3 meters	Max. 3 meters	Max. 3 meters	Max. 3 meters	Max. 3 meters
Nominal voltage / frequency	230 VAC - 50/60 Hz	230 VAC - 50/60 Hz 1 phase 3 wire	230 VAC - 50/60 Hz 1 phase 3 wire	230 VAC - 50/60 Hz	230 VAC - 50/60 Hz 1 phase 3 wire
Phase/wire	1 phase 3 wire	1 phase 3 wire	1 phase 3 wire	1 phase 3 wire	1 phase 3 wire
Peak power 2 s	200%	200%	200%	200%	200%
Harmonic distortion	< 5%	< 3%	< 3%	< 3%	< 3%
Frequency tolerance	± 0.1%	± 0.1%	± 0.1%	± 0.1%	± 0.1%
DIESEL ENGINE SPECIFICATIONS					
Engine	WhisperPower WP1	WhisperPower Kubota Z482	WhisperPower Kubota D722	WhisperPower Kubota D1105	WhisperPower Kubota D1105
Displacement	309 cc	479 cc	719 cc	1123 cc	1123 cc
Cylinders	1	2	3	3	3
Bore & stroke	78 x 76 mm	67 x 68 mm	67 x 68 mm	78 x 78.4 mm	78 x 78.4 mm
Compression ratio	21.1	23.5	23.5	24.0	24.0
Air consumption	< 0.42 m³/min (per unit)	< 0.95 m³/min (per unit)	< 1.22 m³/min (per unit)	< 1.43 m³/min (per unit)	< 1.43 m³/min (per unit)
Cooling system	Oil tube cooler	Oil tube cooler	Oil tube cooler	Oil tube cooler	Oil tube cooler
Fuel consumption (no load - full load)	0.8-1.2 l/hr (per unit)	1.2-2.5 l/hr (per unit)	1.2-3 l/hr (per unit)	1.5-4 l/hr (per unit)	1.5-4 l/hr (per unit)
Starter battery charge method/ current	Handy charger 12 V/7A	Alternator 12 V/12.5 A	Alternator 12 V/12.5 A	Alternator 12 V/12.5 A	Alternator 12 V/12.5 A
DIMENSIONS & WEIGHT					
Length x width x height (cabinet)	510 x 449 x 510 mm /each	660 x 550 x 622 mm /each	740 x 550 x 622 mm /each	882 x 570 x 690 mm /each	882 x 570 x 690 mm /each
Length x width x depth (PMG)	490 x 198 x 188 mm /each	490 x 198 x 188 mm /each	490 x 198 x 188 mm /each	490 x 198 x 188 mm /each	542 x 384 x 257 mm /each
Dry weight (cabinet + PMG)	155 kg + 9.9 kg	155 kg + 9.9 kg /each	175 kg + 9.9 kg /each	210 kg + 30 kg /each	210 kg + 30 kg /each
Dry exhaust	R 1 inch, dry	R 1 inch, dry	R 1 inch, dry	R 1.5 inch, dry	R 1.5 inch, dry
Max. operating angle	25° in all directions	25° in all directions	25° in all directions	25° in all directions	25° in all directions
OPTIONAL					
	2 nd start/stop panel, Touch panel 7"	2 nd start/stop panel, Touch panel 7"	2 nd start/stop panel, Touch panel 7"	2 nd start/stop panel, Touch panel 7"	2 nd start/stop panel, Touch panel 7"
	Crankcase heating	Crankcase heating	Crankcase heating	Crankcase heating	Crankcase heating

Some more about running generators in parallel

As said, paralleling our Genverter generators can be done simply by connecting two Genverters of the same size together to provide two times the nominal power but also two times the peak power. There are several reasons why mobile owners should not "just buy a larger generator." The most common problem of oversized generators is the negative effect on the diesel engine which starts to pollute, smoke, delivers soot and in the end will show glazing effect of the cylinders. Apart from the fact our Genverter generators are more fuel efficient and significantly quieter than a comparable sized 1500/1800 rpm generator, they run at the right RPM at any time and can operate even in eco mode.



Installation Dimensions

Elite Genverter® DC generators 24 | 48 VDC

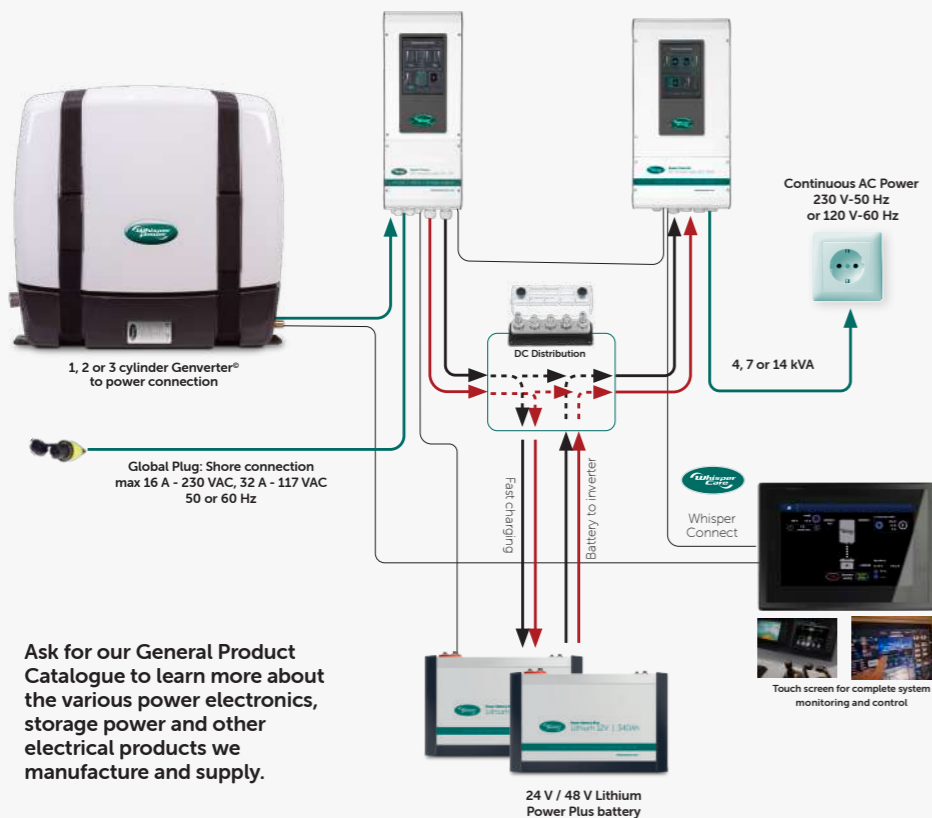
ADJUSTABLE
SPEED
DC
OUTPUT



For cases when a constant high power consumption isn't required, installing a Genverter® system with the DC PowerCube, combined with an inverter, can prove to be a smart decision. The advantage of this system is that a non-stop AC power supply is always available. This is thanks to the 4, 7 or 14 kVA AC PowerCube inverter which is connected to one or multiple onboard batteries being charged by one or several DC PowerCubes.

Whenever the 24 VDC / 48 VDC batteries need to be recharged, the Genverter® starts up automatically. At the same time, the DC PowerCube is connected to the shore power - during shore power connection, the various onboard batteries are charged with a maximum of 120 A (3.5 kW). Using the remote control panel, supplied as standard, the shore power can be set to the required ampere value (4,6,8,10,16 A). The DC PowerCube also features a charging socket for 24 VDC batteries (or 48 VDC).

	ELITE 2	ELITE 3	ELITE 3+	ELITE 2 OUTDOOR	ELITE 3+ OUTDOOR
Art. Nr.	49001120	49001320	49001520	44001120	44001520
MAIN SPECIFICATIONS					
Continuous Power at 25°C (77°F)	4.3 kW	8.6 kW	12 kW	4.3 kW	12 kW
Number of DC PowerCubes	1	2	3	1	3
Nominal voltage	24/48 VDC	24/48 VDC	24/48 VDC	24/48 VDC	24/48 VDC
Charge characteristics	Bulk, absorption, float	Bulk, absorption, float	Bulk, absorption, float	Bulk, absorption, float	Bulk, absorption, float
Noise level	54dB(A) at 7m, 65dB(A) at 1m	54dB(A) at 7m, 65dB(A) at 1m	54dB(A) at 7m, 65dB(A) at 1m	59 dB(A) at 7m, 77 dB(A) at 1m	54dB(A) at 7m, 65dB(A) at 1m (preliminary)
RPM range	1500 .. 3000 rpm, adjustable	1500 .. 3000 rpm, adjustable	1500 .. 2500 rpm, adjustable	1500 .. 3000 rpm, adjustable	1500 .. 2500 rpm, adjustable
Alternator technology	Permanent Magnet	Permanent Magnet	Permanent Magnet	Permanent Magnet	Permanent Magnet
Generator cooling	Liquid cooled	Liquid cooled	Liquid cooled	Liquid cooled	Liquid cooled
Generator control	DDC	DDC	DDC	DDC	DDC
Control Panel	DDC Local + DDC Remote	DDC Local + DDC Remote	DDC Local + DDC Remote	DDC Local + DDC Remote	DDC Local + DDC Remote
DIESEL ENGINE SPECIFICATIONS					
Engine	WhisperPower Kubota Z482	WhisperPower Kubota D722	WhisperPower Kubota D1105	WhisperPower Kubota Z482	WhisperPower Kubota D1105
Displacement	479 cc	719 cc	1123 cc	479 cc	1123 cc
Cylinders	2	2	3	2	3
Bore & stroke	67 x 68 mm	67 x 68 mm	78 x 78.4 mm	67 x 68 mm	67 x 68 mm
Compression ratio	23.5	23.5	24.0	23.5	24.0
Air consumption	< 0.63 m³/min	< 0.94 m³/min	< 1.47 m³/min	< 0.63 m³/min	< 1.47 m³/min
Cooling system	Radiator	Radiator	Radiator	Radiator	Radiator
Fuel consumption (no load - full load)	1.7-2.5 l/hr	2.6-3.8 l/hr	4.2-5.6 l/hr	1.7-2.5 l/hr	4.2-5.6 l/hr
Starter battery charge method/ current	Alternator 12 V/12,5 A	Alternator 12 V/12,5 A	Alternator 12 V/12,5 A	Alternator 12 V/12,5 A	Alternator 12 V/12,5 A
DIMENSIONS & WEIGHT					
Length x width x height (cabinet)	660 x 550 x 622 mm	740 x 550 x 622 mm	882 x 570 x 690 mm	742 x 597 x 670 mm	741 x 907 x 736 mm
Length x width x depth (DC Powercube)	575 x 221 x 316 mm	575 x 221 x 316 mm	575 x 221 x 316 mm	490 x 198 x 188 mm	542 x 384 x 257 mm
Dry weight (cabinet + Powercube)	154 kg + 21 kg	175 kg + 2 x 21 kg	210 kg + 3 x 21 kg	200 kg + 21 kg	260 kg + 3 x 21 kg (preliminary)
Exhaust type	R 1 inch, dry	R 1 inch, dry	R 1.5 inch, dry	R 1 inch, dry	R 1.5 inch, dry
Max. operating angle	25° in all directions	25° in all directions	25° in all directions	25° in all directions	25° in all directions
OPTIONAL					
	2nd start/stop panel, Touch panel 7" Crankcase heating	2nd start/stop panel, Touch panel 7" Crankcase heating	2nd start/stop panel, Touch panel 7" Crankcase heating	2nd start/stop panel, Touch panel 7" Crankcase heating	2nd start/stop panel, Touch panel 7" Crankcase heating

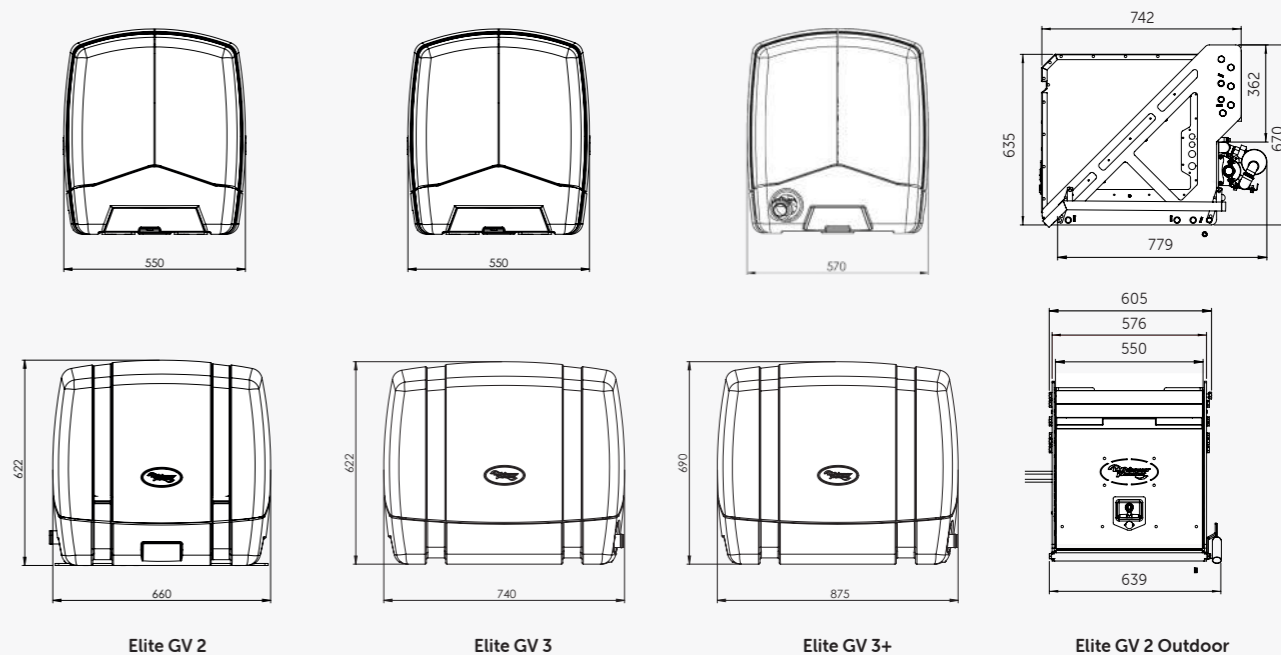


Ask for our General Product Catalogue to learn more about the various power electronics, storage power and other electrical products we manufacture and supply.

- Simple installation, no transfer switch required
- Continuous, uninterrupted clean power on board in your vehicle
- Genverter® speed adjustable and extremely quiet
- Fast charge with correct and constant engine load
- Low fuel consumption, minimal engine maintenance
- Plug-in worldwide



Installation Dimensions



Diesel generators | 1500/1800 rpm Classic series

Over the past 20 years, WhisperPower generators have established a strong reputation as reliable workhorses. They are regarded to be durable and reliable power solutions, meeting the challenges of commercial and high-end recreational Mobile applications. While the high rpm 3000/3600 generators have been replaced by the quiet and compact Genverter series, our 1500/1800 fixed rpm range has undergone a major upgrade.

The WhisperPower SQ Pro range is the solution for applications where a constant level of high quality, non-stop electrical power is required. Available from 10 kVA to 50 kVA, for single and three-phase output, complete with or without sound guard, inclusive advanced control panels and all necessary installation parts to ensure a durable installation.

General description

- 1500 rpm, 1 or 3 phase, 50 Hz
- 1800 rpm, 1 or 3 phase, 60 Hz
- Robust AVR voltage regulation
- Electronic governor for best power quality (optional)
- Aircooled, industrial back-end
- Liquid cooled diesel engine
- Compact and silent

Features

- Water cooling by radiator
- DDC controls as standard *)
- All connections pre-mounted
- Plug-and-play installation
- Industrial power quality
- Parallel connection optional
- Ungrounded version optional

Benefits

- Highest quality standards
- Home design
- Manufactured in Holland
- Various options - flexibility
- World wide distribution and support
- One-stop-shop
- All installations parts from one address.

Some key features and benefits of the new control & power management panels:

- Remote communications (RS232, RS485 x2, Ethernet)
- Genset parallel functionality included (ask for more detail)
- Provides secure and simple off site monitoring
- Front panel mounting
- Enables fault conditions to be resolved quickly and provides instant system information to aid preventative maintenance
- Graphical displays showing, charts, meters, power display, graphs and engine status information
- Information is displayed clearly and in a universal format for all users
- Language by choice.



DDC Remote

DDC Remote panel as used in the past for our standard versions, still standard supply of our non-Pro and Pro versions

- One touch start button
- V/A/Hz read-out
- Various user menus
- Automatic start/stop.

From DDC to Deep Sea Controls

Important feature of our new SQ Pro range is the new 7 inch full colour Touch Screen Control which is easy to link to existing analogue or digital networks. Our traditional DDC controls are still used for the non-Pro versions.

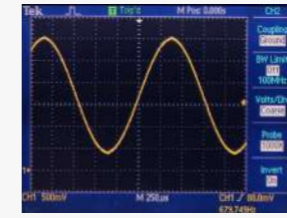
WhisperCare (optional)

Cloud-based monitoring and control, with all essential start/stop/ control functions for operators and end users.



Top Cool

See page 34/35 to learn more about our various radiator cooling systems.



Perfect sinewave

Industrial power quality for a disturbance free power provision for standard and sensitive consumers.



Service side

One-sided service, perfect access to all maintenance related components.

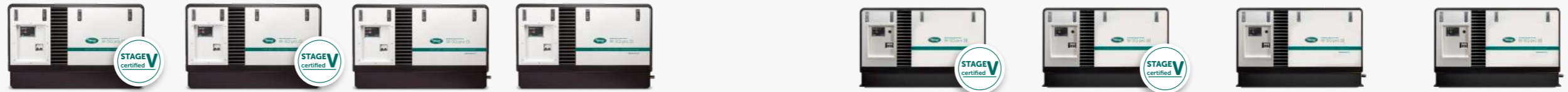


Optimal Sound Reduction

Professional, high class, effective sound shield with easy access to all sides of the generator. All models of the SQ range come standard with a robust sound guard with corrosion proof metal plating and heavy insulation material for optimal sound reduction.

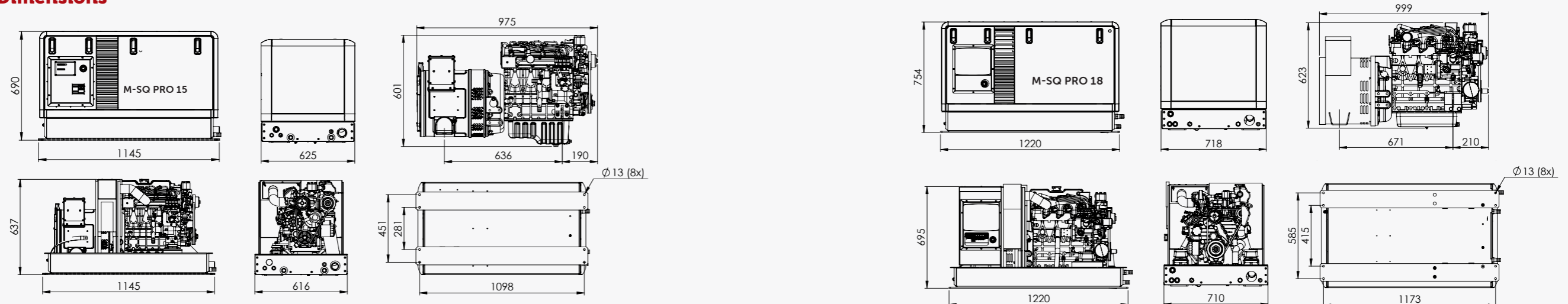
Units can also be delivered without a sound cover. Ask for our OPEN FRAME UNITS without sound shield.





	W-SQ ³ PRO 15 1-PHASE	W-SQ ³ PRO 15 3-PHASE	W-SQ ³ PRO 15 1-PHASE	W-SQ ³ PRO 15 3-PHASE	W-SQ ³ PRO 18 1-PHASE	W-SQ ³ PRO 18 3-PHASE	W-SQ ³ PRO 18 1-PHASE	W-SQ ³ PRO 18 3-PHASE
Art. No.	41207020-STV (DDC) 41207020-STV-DSE (Deep Sea)	41207320-STV (DDC) 41207320-STV-DSE (Deep Sea)	41207020 (DDC) 41207020-DSE (Deep Sea)	41207320 (DDC) 41207320-DSE (Deep Sea)	41208120-STV (DDC) 41208120-STV-DSE (Deep Sea)	41208320-STV (DDC) 41208320-STV-DSE (Deep Sea)	41208120 (DDC) 41208120-DSE (Deep Sea)	41208320 (DDC) 41208320-DSE (Deep Sea)
MAIN SPECIFICATIONS								
Intermittent Power kW at 25°C (77°F)	12 kW	12 kW	12.5 kW	12.5 kW	14.5 kW	14.5 kW	16.5 kW	16.5 kW
Continuous power kVA at 25°C (77°F)	13.75 kVA	13.75 kVA	15 kVA	15 kVA	17.5 kVA	17.5 kVA	18.0 kVA	18.0 kVA
Continuous power kW at 25°C (77°F)	11 kW	11 kW	12 kW	12 kW	14 kW	14 kW	16 kW	16 kW
Noise level	55dB	55dB	55dB	55dB	55dB	55dB	55dB	55dB
RPM range	1500rpm	1500rpm	1500rpm	1500rpm	1500rpm	1500rpm	1500rpm	1500rpm
Cooling	External radiator cooling	External radiator cooling	External radiator cooling	External radiator cooling	External radiator cooling	External radiator cooling	External radiator cooling	External radiator cooling
Alternator Voltage Regulation	AVR, forced ventilation	AVR, forced ventilation	AVR, forced ventilation	AVR, forced ventilation	AVR, forced ventilation	AVR, forced ventilation	AVR, forced ventilation	AVR, forced ventilation
Nominal voltage / frequency	230 VAC - 50 Hz	400/230 VAC - 50 Hz	230 VAC - 50/60 Hz	400/230 VAC - 50/60 Hz	230 VAC - 50 Hz	400 /230 VAC - 50 Hz	230 VAC - 50 Hz	400/230 VAC - 50 Hz
Peak power 2 s	200 %	200 %	200 %	200 %	200 %	200 %	200 %	200 %
Harmonic distortion	< 3 %	< 3 %	< 3 %	< 3 %	< 3 %	< 3 %	< 3 %	< 3 %
Frequency tolerance	± 5 %	± 5 %	± 5 %	± 5 %	± 5 %	± 5 %	± 5 %	± 5 %
DIESEL ENGINE SPECIFICATIONS								
Type	WhisperPower Kubota V1505 BG	WhisperPower Kubota V1505 BG	WhisperPower Kubota V1505 BG	WhisperPower Kubota V1505 BG	WhisperPower Kubota V2203 M BG	WhisperPower Kubota V2203 M BG	WhisperPower Kubota V2203 M BG	WhisperPower Kubota V2203 M BG
Cylinder, quantity	4	4	4	4	4	4	4	4
Displacement, L (cu. In.)	1.5 (91.5)	1.5 (91.5)	1.5 (91.5)	1.5 (91.5)	2.197 (134)	2.197 (134)	2.197 (134)	2.197 (134)
Bore, mm (in.)	78.0 (3.07)	78.0 (3.07)	78.0 (3.07)	78.0 (3.07)	87 (3,4)	87 (3,4)	87 (3,4)	87 (3,4)
Stroke, mm (in.)	78.4 (3.09)	78.4 (3.09)	78.4 (3.09)	78.4 (3.09)	92,4 (3,6)	92,4 (3,6)	92,4 (3,6)	92,4 (3,6)
Compression ratio	23.0	23.0	23.0	23.0	22.0	22.0	22.0	22.0
Combustion system	IDI	IDI	IDI	IDI	IDI	IDI	IDI	IDI
Nominal speed, rpm	1500	1500	1500	1500	1500	1500	1500	1500
Net Continuous power at rated rpm, kW (HP)	12.0 (16.4)	12.0 (16.4)	12.0 (16.4)	12.0 (16.4)	12.0 (16.4)	12.0 (16.4)	12.0 (16.4)	12.0 (16.4)
Governor, type	Mechanical (+/-5%)	Mechanical (+/-5%)	Mechanical (+/-5%)	Mechanical (+/-5%)	Mechanical (+/-5%)	Mechanical (+/-5%)	Mechanical (+/-5%)	Mechanical (+/-5%)
Angular operation continuous	200	200	200	200	200	200	200	200
DIMENSIONS & WEIGHT								
Length x width x height (cabinet)	1145 x 625 x 690 mm	1145 x 625 x 690 mm	1145 x 625 x 690 mm	1145 x 625 x 690 mm	1220 x 719 x 754 mm	1220 x 719 x 754 mm	1220 x 719 x 754 mm	1220 x 719 x 754 mm
Dry weight	410 kg	410 kg	410 kg	410 kg	495 kg	495 kg	495 kg	495 kg
Dry exhaust	Ø 1.5 inch BSP	Ø 1.5 inch BSP	Ø 1.5 inch BSP	Ø 1.5 inch BSP	Ø 1.5 inch BSP	Ø 1.5 inch BSP	Ø 1.5 inch BSP	Ø 1.5 inch BSP
Max. operating angle	25° in all directions	25° in all directions	25° in all directions	25° in all directions	25° in all directions	25° in all directions	25° in all directions	25° in all directions
CONTROL PANEL								
Standard	DDC or Deep Sea controller	DDC or Deep Sea controller	DDC or Deep Sea controller	DDC or Deep Sea controller	DDC or Deep Sea controller	DDC or Deep Sea controller	DDC or Deep Sea controller	DDC or Deep Sea controller
Optional	Touch panel 7"	Touch panel 7"	Touch panel 7"	Touch panel 7"	Touch panel 7"	Touch panel 7"	Touch panel 7"	Touch panel 7"
	Ungrounded	Ungrounded	Ungrounded	Ungrounded	Ungrounded	Ungrounded	Ungrounded	Ungrounded
	Keel cooling	Keel cooling	Keel cooling	Keel cooling	Keel cooling	Keel cooling	Keel cooling	Keel cooling
	Crankcase heating	Crankcase heating	Crankcase heating	Crankcase heating	Crankcase heating	Crankcase heating	Crankcase heating	Crankcase heating

Installation Dimensions

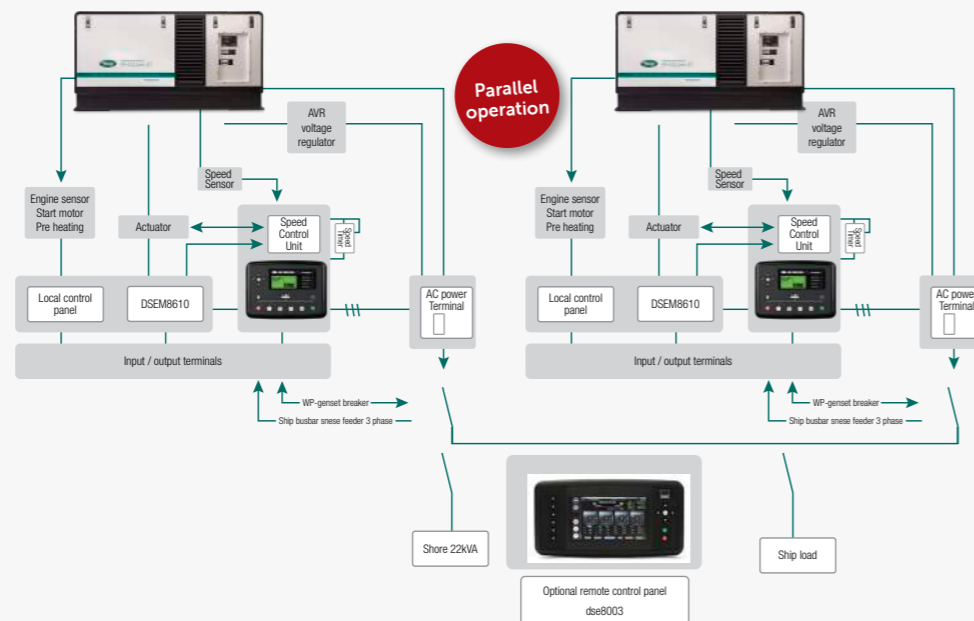




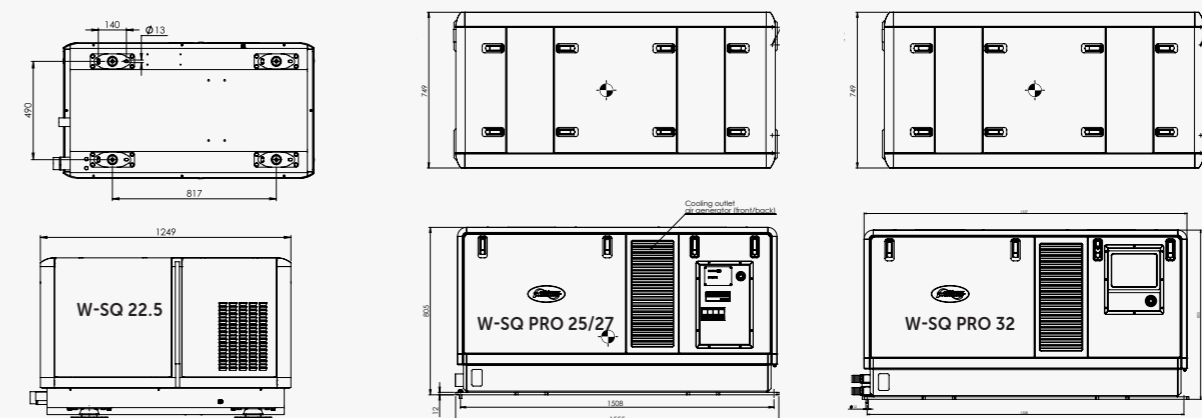
	W-SQ ¹ 22.5 1-PHASE	W-SQ ³ 22.5 3-PHASE	W-SQ ¹ PRO 27 1-PHASE	W-SQ ³ PRO 27 3-PHASE	W-SQ ³ PRO 32 3-PHASE
Art. No.	41101220 230 VAC / 50 Hz - 22.5 kVA 41101225 120 VAC-240 V / 60 Hz - 25 kVA	41131220 230 VAC - 400 V / 50 Hz - 22.5 kVA	41202020 230 VAC / 50 Hz - 27 kVA	41201320 230 VAC / 50 Hz - 27 kVA	41201420 230 VAC - 400 V / 50 Hz - 32 kVA
MAIN SPECIFICATIONS					
Intermittent Power kW at 25°C (77°F)	22 kW	22 kW	25 kW	25 kW	27 kW
Continuous power kVA at 25°C (77°F)	22.5 kVA	22.5 kVA	27 kVA	27 kVA	32 kVA
Continuous power kW at 25°C (77°F)	20 kW	20 kW	22.5 kW	25 kW	27 kW
Noise level	58dB	58dB	58dB	58dB	58dB
Rpm range	1500/1800 rpm	1500/1800 rpm	1500/1800 rpm	1500/1800 rpm	1500/1800 rpm
Cooling	External radiator cooling	External radiator cooling	External radiator cooling	External radiator cooling	External radiator cooling
Alternator Voltage Regulation	AVR, forced ventilation	AVR, forced ventilation + EBS	AVR, forced ventilation + EBS	AVR, forced ventilation + EBS	AVR, forced ventilation + EBS
Nominal voltage / frequency	230 VAC / 50 Hz	230 VAC / 50 Hz - 3x 400 VAC	230 VAC / 50 Hz	230 VAC / 50 Hz - 3x 400 VAC	230 VAC / 50 Hz - 3x 400 VAC
Peak power 2 s	200 %	300 %	300 %	300 %	300 %
Harmonic distortion	< 3 %	< 3 %	< 3 %	< 3 %	< 2 %
Frequency tolerance	± 5 %	± 5 %	± 5 %	± 5 %	± 5 %
DIESEL ENGINE SPECIFICATIONS					
Engine	WhisperPower Mitsubishi S4S - 4 cylinder	WhisperPower Mitsubishi S4S - 4 cylinder	WhisperPower Mitsubishi S4S - 4 cylinder	WhisperPower Mitsubishi S4S - 4 cylinder	WhisperPower Mitsubishi S4S - 4 cylinder
Cylinder volume	3331 cc	3331 cc	3331 cc	3331 cc	3331 cc
Bore & stroke	94 x 120 mm	94 x 120 mm	94 x 120 mm	94 x 120 mm	94 x 120 mm
Air consumption	2.8 m ³ /min	2.8 m ³ /min	2.8 m ³ /min	2.8 m ³ /min	2.8 m ³ /min
Cooling system	Indirect	Indirect	Indirect	Indirect	Indirect
Fuel consumption (no load - full load)	1-6 l/hr	1-6 l/hr	1-6 l/hr	1-6 l/hr	1-6 l/hr
Starter battery charge current	12 V / 40 A	12 V / 40 A	12 V / 40 A	12 V / 40 A	12 V / 40 A
DIMENSIONS & WEIGHT					
Length x width x height (cabinet)	1260 x 680 x 800 mm	1260 x 680 x 800 mm	1555 x 749 x 805 mm	1555 x 749 x 805 mm	1555 x 749 x 805 mm
Dry weight	580 kg	580 kg	640 kg	640 kg	640 kg
Dry exhaust / wet exhaust	Ø 2 inch BSP / Ø 63 mm	Ø 2 inch BSP / Ø 63 mm	Ø 2 inch BSP / Ø 63 mm	Ø 2 inch BSP / Ø 63 mm	Ø 2 inch BSP / Ø 63 mm
Oil dipstick	Top & side	Top & side	Top & side	Top & side	Top & side
Max. operating angle	25° in all directions	25° in all directions	25° in all directions	25° in all directions	25° in all directions
CONTROL PANEL					
Standard	DDC	DDC	DDC	DDC	Deep Sea controller
Optional	Touch panel 7"	Touch panel 7"			
	Ungrounded	Ungrounded	Ungrounded	Ungrounded	Ungrounded
	Keel cooling	Keel cooling	Keel cooling	Keel cooling	Keel cooling
	Crankcase heating	Crankcase heating	Crankcase heating	Crankcase heating	Crankcase heating
	60 Hz	60 Hz	60 Hz	60 Hz	60 Hz

Parallel operation optional

We can prepare our SQ Pro generators – both for mobile/ land applications - for parallel operation. In many situations large generators operate half load or less during extended periods which causes malfunction of the generator. WhisperPower's parallel solution is a smart choice, reducing maintenance and fuel costs considerable.



Installation Dimensions



Super Quiet Pro | Fixed speed, 50 dBA W-SQ Pro 40 CR

Every W-SQ (Super Quiet) Pro 40 WhisperPower diesel generator is designed for non-stop, 1500 rpm operation under harsh circumstances. They are robust, silent, compact and extremely reliable. All W-SQ Pro 40 generators are made in the Netherlands and severely tested in one of the most advanced generator production facilities in the world, before distributed on a world-wide base by dedicated, service orientated, distribution partners.



Regulations regarding diesel generators for mobile use are becoming more stringent. Not only the emission standard (Stage V is a must) but also the noise level is an important theme. For the German market, WhisperPower developed a super-quiet 40 kVA mobile generator that had to meet a noise standard of 50 dBA. That has worked brilliantly. By using lightweight aluminium elements for the composition of the sound box, the total weight has remained under 875 kg. This includes the exhaust After Treatment system containing a Diesel Oxidation Catalyst (DOC) and a DPF (Diesel Particle Filter). Minimal restrictions in the public space one of the many applications of the new W-SQ Pro 40 Stage V generators is the film television.

Kubota V3800-CR-TE5BG 2 certificates

- Regulation (EU) 2016/1628
- Implementing Regulation (EU) 2018/988
- Delegated Regulations (EU) 2018/987 and (EU) 2018/989

Engine Features

- Diesel fueled
- Four cylinder
- Four stroke
- Stage V
- Closed cooling system
- Double Top Cool cooling system
- Electric fuel lift pump
- Forklift insertion sleeves
- Emergency stop
- External emergency stop (optional)
- Noise level dBA
1m (7m) 68 (53)
- Low oil pressure shutdown
- High engine temperature shutdown
- Low vibration shock mounts
- Disposable oil filter
- Oil drain pump (optional)
- Disposable water/ fuel filter



W-SQ³ PRO 40 3-PHASE

Art. No.	41201620 230 VAC-400 V / 50 Hz - 40 kVA
MAIN SPECIFICATIONS	
Intermittent Power kW at 25°C (77°F)	40 kW
Continuous power kVA at 25°C (77°F)	40 kVA
Continuous power kW at 25°C (77°F)	35 kW
Noise level	58dB
Rpm range	1500 rpm
Cooling	External radiator cooling
Alternator Voltage Regulation	AVR, forced ventilation
Nominal voltage / frequency	230 VAC / 50 Hz - 3x 400 VAC
Peak power 2 s	300 %
Harmonic distortion	< 3 %
Frequency tolerance	± 5 %
DIESEL ENGINE SPECIFICATIONS	
Engine	Perkins-Sabre 4.4 GM - 4 cylinder
Cylinder volume	4400 cc
Bore & stroke	105 x 127 mm
Air consumption	3.6 m ³ /min
Cooling system	Indirect
Fuel consumption (no load - full load)	1-10 l/hr
Starter battery charge current	12 V / 60 A
DIMENSIONS & WEIGHT	
Length x width x height (cabinet)	1658 x 837 x 986 mm
Dry weight	1.000 kg
Dry exhaust / wet exhaust	Ø 2 inch BSP / Ø 76 mm
Oil dipstick	Top & side
Max. operating angle	25° in all directions
CONTROL PANEL	
Standard	Deep Sea Controller
Optional	Keel cooling Crankcase heating 60 Hz

INCLUDED



Deep Sea Control

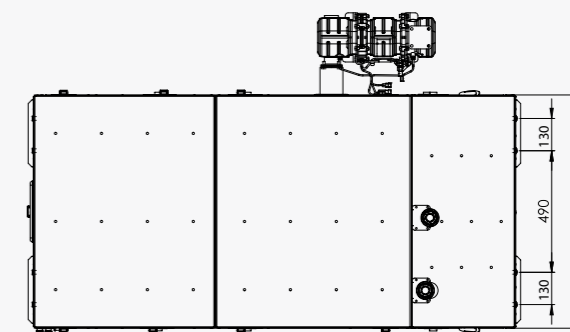
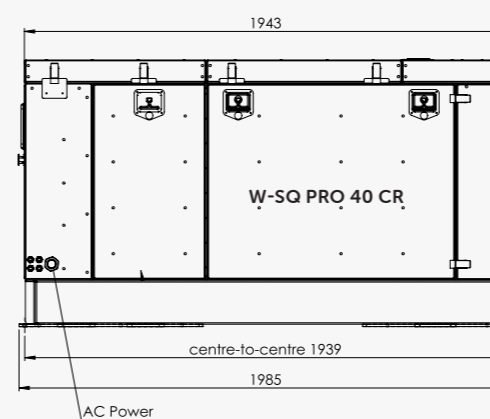
- Full engine control
- Robust digital sensor readout
- Full analogue sensor readout
- Full monitoring of conventional generators
- Easy to integrate in PLC with Modbus, CAN or Ethernet
- Possibility for load sharing and synchronization
- Optional auto start and switch over on mains failure
- Remote communications (RS232, RS485 x2, Ethernet)
- Provides secure and simple off site monitoring
- Graphical displays showing, charts, meters, power display, graphs and engine status information
- Information is displayed clearly and in a universal format for all users
- Language by choice. German, English, French, Italian, Dutch and Spanish.



Top Cool roof cooling system (optional)

- Dimensions: W 1418 x L 584 x D 255 mm
- Radiators and expansion tank pre-installed. Plug and play, only cooling hoses (4) in/ out and 230 VAC to be connected.

Installation Dimensions



Diesel Generators AtlasGO

ATLASGO are strong, powerful and reliable generator systems that can be picked up and dropped for the next job or installed permanently. Main applications: back-up emergency power for on-grid situations, prime power for off-grid situations, auxiliary power for Lithium based zero-emission power systems with large inverters and so on. Application fields are enormous: telecom, road, railroad, contractor industry, fire departments, etc. The AtlasGO sets are not built to be compact and lightweight, but to have necessary parts integrated in one enclosure.

Ready-to-use Mobile/ Land Generator - AtlasGO








LARGER FUEL TANK Art. Nr. 41400010

When the standard autonomy of the generator is not sufficient, WhisperPower offers the possibility to install a larger fuel tank. This means that you can work for a longer period of time without refueling. This solution can be applied on all AtlasGO generators!

DEEP SEA ELECTRONICS Art. Nr. 41400020 / 41400020

With a Deep Sea Electronics control module, WhisperPower offers the possibility to remotely control and manage a generator.

	ATLASGO 8 	ATLASGO 9 	ATLASGO 11 	ATLASGO 14 	ATLASGO 18 	ATLASGO 20	ATLASGO 30	ATLASGO 34	ATLASGO 44
Art. No.	41400801 - 1-phase DSE	41400901 - 3-phase DSE	41401101 - 1-phase DSE	41404001 - 3-phase DSE	41401801 - 1-phase DSE	41401901 - 3-phase DSE	41403001 - 1-phase DSE	41403301 - 3-phase DSE	41405001 - 3-phase DSE
MAIN SPECIFICATIONS									
kVA max.	7.5	9	11	14	18	19	30	33	44
kVA cont.	7	8.5	10	13	13	18	28	30	40
kVA @ 1~230 V	7	2.8	10	4.3	4.3	6.7	28	10	13
kVA @ 3~400 V	n/a	8.5	n/a	13	13	18	n/a	30	40
Amps cont. @ 1~230 V	30 A	12.2 A	43 A	19 A	19 A	29 A	122 A	43 A	58 A
Amps cont. @ 3~400 V	n/a	12.3 A	n/a	19 A	19 A	26 A	n/a	43 A	58 A
DIESEL ENGINE SPECIFICATIONS									
Engine	Kubota D1105 E4BG2-EUP-1	Kubota D1105 E4BG2-EUP-1	Kubota D1703M E4BG2-EUP-1	Kubota D1703M E4BG2-EUP-1	Kubota D1703M E4BG2-EUP-1	Kubota V2203M E4BG2-EUP-1	Kubota V3800DIT E3BG-EUP-1	Kubota V3300 E2BG2-EUP-1	Kubota V3800DIT E3BG-EUP-1
HP max.	14	14	20	20	20	27	57	37	57
kW max.	10.3	10.3	15	15	15	20	42	28	42
rpm	1500	1500	1500	1500	1500	1500	1500	1500	1500
Cylinder	3	3	3	3	3	4	4	4	4
Fuel	Diesel	Diesel	Diesel	Diesel	Diesel	Diesel	Diesel	Diesel	Diesel
EU Emission norm	Stage V	Stage V	Stage V	Stage V	Stage V	Stage V	Transition engine IIIa	Transition engine IIIa	Transition engine IIIa
Cooling	Water-cooled	Water-cooled	Water-cooled	Water-cooled	Water-cooled	Water-cooled	Water-cooled	Water-cooled	Water-cooled
Displacement	1123 cm ³	1123 cm ³	1647 cm ³	1647 cm ³	1647 cm ³	2197 cm ³	3769 cm ³	3318 cm ³	3769 cm ³
Consumption @75% load	1.9 litres/hour	1.9 litres/hour	2.6 litres/hour	2.6 litres/hour	2.6 litres/hour	3.7 litres/hour	7.7 litres/hour	6 litres/hour	7.7 litres/hour
Consumption @100% load	n/a	n/a	n/a	n/a	n/a	n/a	10 litres/hour	8 litres/hour	10 litres/hour
Tank	63 litres	63 litres	73 litres	73 litres	73 litres	80 litres	90 litres	90 litres	90 litres
Autonomy @75% load	33.2 hours	33.2 hours	28.1 hours	28.1 hours	28.1 hours	21.6 hours	11.7 hours	15 hours	11.7 hours
Autonomy @100% load	n/a	n/a	n/a	n/a	n/a	n/a	9 hours	11.3 hours	9 hours
Noise level	65 dB(A) at 7 m	65 dB(A) at 7 m	65 dB(A) at 7 m	65 dB(A) at 7 m	65 dB(A) at 7 m	65 dB(A) at 7 m	65 dB(A) at 7 m	65 dB(A) at 7 m	65 dB(A) at 7 m
LWA	90	90	90	90	90	90	90	90	90
DIMENSIONS & WEIGHT									
Length x width x height (cabinet)	150 x 64 x 90 cm	150 x 64 x 90 cm	170 x 74 x 100 cm	170 x 74 x 100 cm	170 x 74 x 100 cm	198 x 74 x 100 cm	210 x 94 x 112 cm	210 x 94 x 112 cm	210 x 94 x 112 cm
Weight incl. oil (+ coolant if water-cooled) ex. fuel	430 kg	440 kg	575 kg	580 kg	580 kg	660 kg	970 kg	887 kg	928 kg
Weight incl. oil (+ coolant if water-cooled) + fuel	483 kg	493 kg	637 kg	642 kg	642 kg	728 kg	1046 kg	963 kg	1004 kg
ALTERNATOR									
Brand/Type	Sincro SK160SA1 brushless	Mecc Alte ECP3-1L/4 brushless 3	Sincro SK160CA1 brushless	Leroy Somer LSA40S3 brush less	Leroy Somer LSA40S3 brush less	Leroy Somer LSA40S3 brush less	Mecc Alte ECP32-3S/4 brushless	Leroy Somer LSA42 3VS 3AREP brushless	Leroy Somer LSA42 3VS 3AREP brushless
Nominal voltage	230 V	400 V and 1 230 V	1 230 V	3 400 V and 1 230 V	3 400 V and 1 230 V	3 400 V and 1 230 V	1 230 V	3 400 V and 1 230 V	3 400 V and 1 230 V
Frequency	50 Hz	50 Hz	50 Hz	50 Hz	50 Hz	50 Hz	50 Hz	50 Hz	50 Hz
Protection degree	IP23	IP23	IP23	IP23	IP23	IP23	IP23	IP23	IP23

ACCESSORIES & OPTIONS ATLASGO ALL TYPES

Art. Number 41400010 AtlasGO - Large FUEL tank 400 ltr - Bunded with Generator

DEEP SEA ELECTRONICS

Art. Number 41400020 AtlasGO - Remote monitoring (web-based control) by DSE890 for laptop / PC / Smart Phone / Tablet

Art. Number 41400021 AtlasGO - GSM/GPS 4G antenna - Belongs to 41400020



System explained

What a complete generator system looks like

This page provides an overview of all the essential installation equipment for a generator system. We recommend only using original WhisperPower parts. We provide installation kits for all of our generator models to facilitate installation. All products are high quality and specifically designed for the intended function.

Mobile installation example



Photographs: Courtesy of Prokasto, Karlsruhe

Service, consulting and system development

Supplier of single components

We supply generators, charging technology, inverters and battery systems. Generator systems for 12 VDC / 24 VDC / 48 VDC / 230 VAC / 400 VAC output.

Individual customer solutions

Together with our customers, WhisperPower carries out a system design, exactly matched to the needs and requirements.

System design

As a supplier of complete energy

systems, WhisperPower offers a complete system from one source! This includes generators, charging technology, inverters and battery systems perfectly matched to each other.

Service & Development

Customization of individual components possible

Circuit diagrams

We optionally offer the complete development of circuit diagrams of the energy system.

Commissioning

Depending on the customer's system, WhisperPower can perform commissioning and thus ensure safe operation.

Training

WhisperPower offers several training workshops per year at the headquarter in Drachten/ Netherlands. Furthermore, if required, we also carry out training courses directly on site at our customers. As a tool we also use our demo vehicle with different generators and products.

Radiator Cooling kits

All WhisperPower Classic Generators and Genverters® are liquid cooled in order to cool the engine and electrical alternator. Similar to cars, radiators are needed to cool the liquid to achieve this result. WhisperPower supplies a couple of cooling systems which are shown below.

Our latest Genverter® and SQ Pro generator systems only require ONE RADIATOR. When it comes to ROOF cooling, we offer a TOP COOL system and we supply various radiators for vehicle under floor or side cooling. For cases where high operating temperatures apply we recommend to install a two-radiator per cooling circuit.



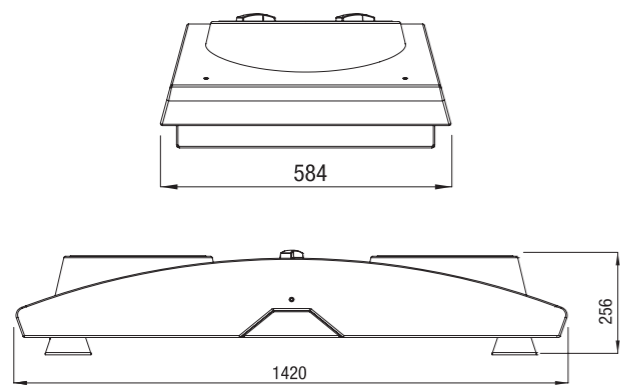
WHISPERPOWER TOP-COOL COOLING FOR ROOF INSTALLATION WITH 2 RADIATORS

ARTICLE NUMBER	DEFINITION
40230631	Top-Cool Radiator for the W-SQ Pro 15 and W-SQ Pro 18
40230632	Top-Cool Radiator for the W-SQ Pro 20, 22.5, 25, 27 and W-SQ 32



WHISPERPOWER TOP-COOL COOLING FOR ROOF INSTALLATION (SINGLE RADIATOR)

ARTICLE NUMBER	DEFINITION
40230670	Top-Cool system operating on 230 VAC. Suitable for Genverter 8 / 10
40230671	Top-Cool system operating on 24 VDC. Suitable for Genverter GV 2 and GV 3 models
40230672	Top-Cool system operating on 230 VAC. Suitable for Genverter 12 / 15



Top-Cool (Single Radiator) with 1 expansion tank.
W 820 x L 584 x H 245 mm

Top Cool roof cooling system suitable for 2 radiators.
B 1418 x L 584 x H 255 mm
Radiators and expansion tank pre-installed. Plug and play, only cooling hoses (4) in/ out and 230 VAC to be connected.

Radiator cooling kits Underfloor and side mounting

Below you will find the drawings of 4 radiators, A B C and D

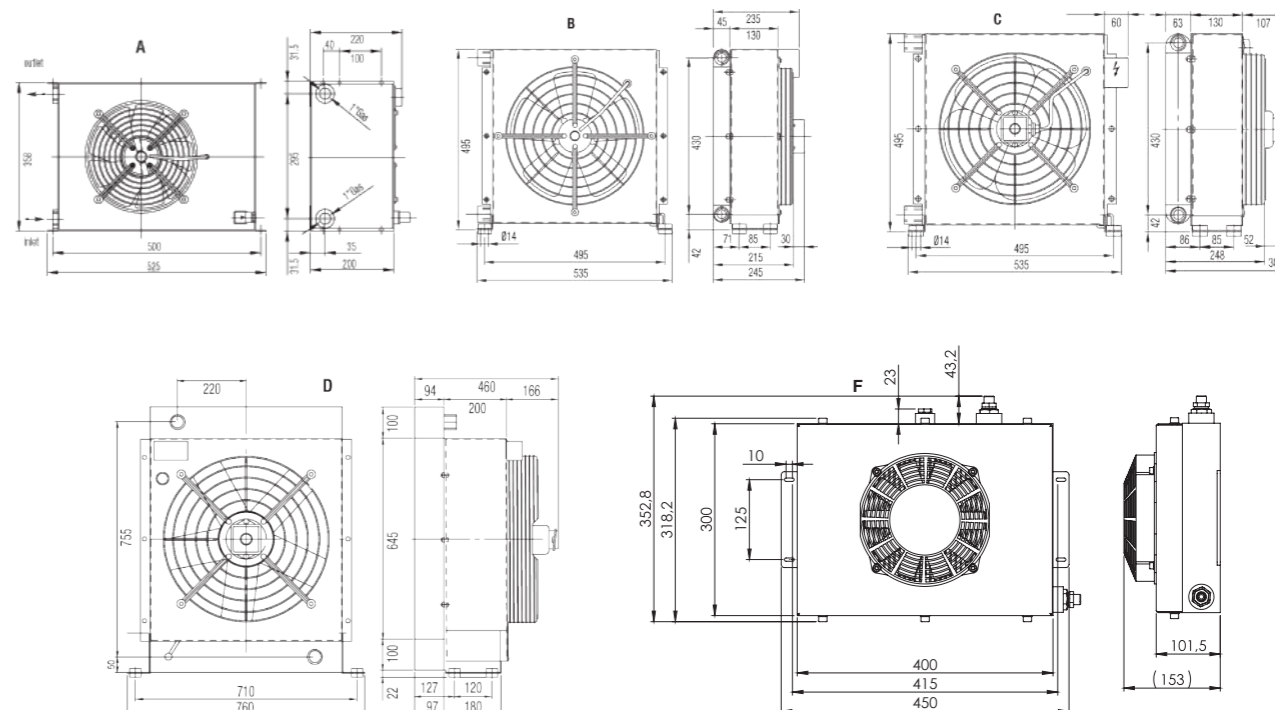
RADIATORS FOR COOLING OF THE MOTOR AND ALTERNATOR WITH AC FAN*

ARTICLE NUMBER	RADIATOR	DEFINITION
40201879	Radiator A	Radiator kit cooling engine W-GV 8
40201868	Radiator A	Radiator kit cooling engine 12 V Elite 8
40201864	Radiator B	Radiator kit cooling engine Elite 10
40201865	Radiator B	Radiator kit cooling engine Elite 3 / 10
40201877	Radiator C	Radiator kit cooling engine - Wall installation SQ Pro 15 / 18
40201897	Radiator D	Radiator kit cooling engine - Wall installation SQ 25 / 1-phase
40201898	Radiator D	Radiator kit cooling engine - 3-phase 400 VAC
40201872	Radiator E	Radiator kit cooling engine - Wall installation Elite 15
40201318	Radiator F	Radiator kit cooling engine - 12 V Scalino



Example of a radiator cooling kit: each kit consists of a radiator, cooling fan, electrical motor to operate the cooling fan, temperature resistant hoses, clems and an expansion tank which is supplied with hoses as well.

Dimensions radiator cooling systems



Exhaust systems for all Genverter and SQ models

To make the WhisperPower system as quiet as possible a well designed and installed exhaust system is required. We offer two different exhaust systems. For optimum noise reduction; two silencers are needed and absorption and resonance muffler. When space is limited; our stainless steel Combi absorption/resonance muffler is, in general, a good solution for all 1 & 2 cylinder based systems.



Art. No. 40201326 Stainless steel Combi style muffler for under-floor mounting.



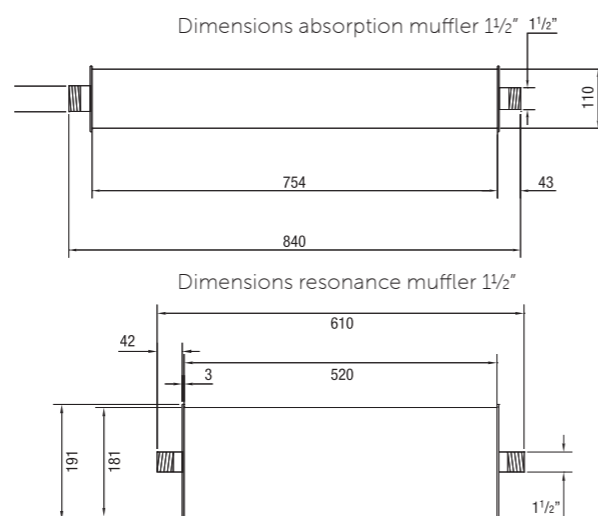
Art. No. 40201326 Stainless steel Combi style muffler, as shown here, prepared for roof mounting. The whole system, incl. roof bracket, is available from WhisperPower.

DRY EXHAUST KIT	
ARTICLE NUMBER	DEFINITION
40201326	Dry exhaust kit 1" Combi style muffler for Scalino models W-GV 8 / 10
40201325	Dry exhaust kit 1" for W-GV 4 Scalino models W-GV 8 / 10
40201875	Dry exhaust kit 1 1/2" for the W-SQ PRO 15, 18 and the W-GV 12 / 15
40201889	Dry exhaust kit 2" for the W-SQ 20, 25, 27, 32



Exhaust mufflers for Genverter/ Classic SQ multi-cylinder models

Complete exhaust kit with absorption muffler, resonance muffler, isolation blankets, flexible steel connection parts and various metal parts needed to create one system. Includes the parts to connect the muffler system to the vehicle.



Original service kits from WhisperPower

The A-kit contains all the spare parts for those items, such as filters and belts, that should be replaced on a regular basis. We advise always ordering an A-kit along with your new WhisperPower generator. The B-kit consists of parts for those items which may need to be replaced after a longer period of time, depending on the number of operating hours. Our B-kits include a larger number of components such as seals and various mechanical parts. For long trips, it is advisable to take a B-kit with you on board of your vehicle.

SERVICE KITS FOR MOBILE USE	
ARTICLE NUMBER	DEFINITION
40401160	A-kit W-GV4 Scalino
40401161	B-kit W-GV4 Scalino
40401760	A-kit W-GV2/3, W-GV8/10 K
40401761	B-kit W-GV2, W-GV8 K
40401762	B-kit W-GV3, W-GV10 K
40201460	A-kit W-SQ8, W-SQ10 and W-SQ12 -1500 / 1800rpm
40201653	B-kit W-SQ8 and W-SQ10 - 1500 / 1800rpm
40201461	B-kit W-SQ12 - 1500 / 1800rpm
40201360	A-kit W-SQ16 - 1500 / 1800rpm
40201361	B-kit W-SQ16 - 1500 / 1800rpm
40201560	A-kit W-SQ22.5, W-SQ25, W-SQ27 and W-SQ32 - 1500 / 1800rpm
40201561	B-kit W-SQ22.5, W-SQ25, W-SQ27 and W-SQ32 - 1500 / 1800rpm

WPL COOLANT AND ENGINE OIL	
40222214	WPL Coolant G12, Coolant, 4 liters
40222244	WPL-15 W40 General, Engine oil, 4 liters
40222224	WPL 10 W40 Premium Long Drain, Engine oil, 4 liters

BOILER KIT - WARM WATER OR HEATING FROM THE GENERATOR	
40245030	Boiler kit for Genverter Range up to 8 kW
40245031	Boiler kit for Gensets up to 10 kW



WPL Coolant and Lubrication Oil



WPL Coolant G12, Coolant, 4 liters
Art. No. 40222214

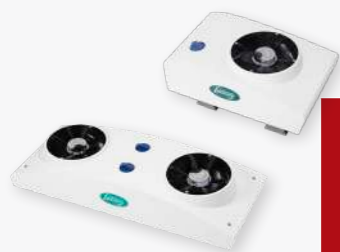


WPL-15 W40 General, Engine oil, 4 liters
Art. No. 40222244



Cooling radiator selection guide

Radiators are sized to work at 25° ambient temp. For applications in warmer areas, we recommend over sized or double radiator systems.



Top-Cool Systems

ARTICLE NUMBER	W-GV 4 SCALINO	GV 8 / ELITE 2 / ELITE 8	GV 10 / ELITE 3 / ELITE 10	GV 12 / ELITE 3+ / ELITE 12	GV 15 / ELITE 15	SQ 15 / 1-PHASE	SQ 15 / 3-PHASE	SQ 18 / 1-PHASE	SQ 18 / 3-PHASE	SQ 25 / 1-PHASE	SQ 27 / 3-PHASE	SQ 32 / 3-PHASE	SQ 50 / 3-PHASE
40230670 Top Cool Single Kit 230 V	■	■											
40230672 Top Cool Single Kit /2 230 V				■	■								
40230631 Top Cool Dual Kit 230 V (2x)						■	■	■	■				
40230632 Top Cool Dual Kit /2 230 V (2x)										■	■	■	
40230673 Top Cool Dual Kit /2 230 V (2x)				■									N/A
40230676 Top Cool Single Kit 12 V				■	■								
40230674 Top Cool Single Kit 12 V	■	■											



Radiator Single or Radiator Dual

ARTICLE NUMBER	W-GV 4 SCALINO	GV 8 / ELITE 2 / ELITE 8	GV 10 / ELITE 3 / ELITE 10	GV 12 / ELITE 3+ / ELITE 12	GV 15 / ELITE 15	SQ 15 / 1-PHASE	SQ 18 / 1-PHASE	SQ 18 / 3-PHASE	SQ 25 / 1-PHASE	SQ 27 / 3-PHASE	SQ 32 / 3-PHASE	SQ 50 / 3-PHASE
40201318 Radiator Kit 12 V	■											
40201868 Radiator Kit 12 VDC		■										
40201865 Radiator Kit 12 VDC			■									
40201863 Radiator Kit 12 VDC				■	■	■	■	■				
40201869 Radiator Kit 24 VDC		■										
40201866 Radiator Kit 24 VDC			■	■								
40201879 Radiator Kit 230 VAC		■										
40201864 Radiator Kit 230 VAC			■									
40201877 Radiator Kit 230 VAC						■	■	■				
40201872 Radiator Kit 230 VAC				■	■							
40201897 Radiator Kit 1-phase 230 VAC								■				
40201898 Radiator Kit 3-phase 400 VAC										■	■	■

Overview of remote panels and the possible variations

Genverter | Classic generators | Inverters | Chargers | Combi's | Batteries

		POWER DEVICES															
Whisper Power	Remote panel	Inverter/charger WPC+BSI	Battery Lithium Power Plus	AC Power Cube	DC Power Cube	Piccolo Scalino	GV8	GV10	GV15	GV/1	GV/2	GV/3	SQ series up to SQ 27	SQ 32			
	Standard Start/Stop panel for Genverter Incl. in delivery Piccolo 4					✓											
	Remote control for PMG Incl. in delivery PM G.					✓		✓	✓								
	DDC Digital Diesel Control (full function) Art No. 40209102												✓				
	DDC Digital Diesel Control (limited function) Art No. 40209102						✓	✓	✓	✓	✓	✓					
	DSE Control Panel													✓			
	Touch Panel 5 inch Art No. 40280105					✓											
	Touch Panel 7 inch Art No. 40280101	✓ WPC data-logger Art No. 60201084 required	✓	✓	✓	✓	✓	✓	✓	✓	✓	✓	✓	✓			
	Touch Panel 10 inch Art No. 40280102	✓ WPC data-logger Art No. 60201084 required	✓	✓	✓	✓	✓	✓	✓	✓	✓	✓	✓	✓			
	WBM Battery monitor Art No. 40290313					For autostart function and battery monitoring											
	WP-RCC Control panel Art No. 60201080	✓															
	AC PowerCube on/off + LED indicators Incl. in delivery AC PowerCube			✓													
	DC PowerCube with current adjustment Incl. in delivery DC PowerCube				✓												

Hybrid generator system with zero-emission interval operation

The tone has been set already years ago in the automotive sector: Climate-neutral thinking is the credo there. In the maritime sectors, green thinking is still in its infancy. It is high time for technology that contributes to a better ecological footprint in the pleasure craft sector. With the introduction of the new OctoPower systems WhisperPower takes a progressive step towards enhancing comfort, reducing CO₂ emissions and saving operational costs.

Our OctoPower systems provide Super Charger electrical power at locations where electrical power is not available as standard.

Battery Storage & Solar/ Power

The heart of the OctoPower system is a durable power storage, made from Lithium Ion or long life lead-acid battery technology, charged by solar and/or windpower.

Super Inverter

Low voltage battery power is now utilized by the WhisperPower Super Inverters, ranging from 3 kVA to 50 kVA single or three phase electrical power. The Super Inverter now supplies 120 or 230 volts to the power system.

Super Chargers

The WhisperPower Battery Storage is re-charged by one or more WhisperPower Super Fast Chargers. This Super Charger is connected to the main (or shore) power in case this is available.

Solar or WindPower

When main or shore power is not available, we can charge with solar or windpower.

Generator

As a last resort, the ultra silent WhisperPower back up generator, complying with the most stringent emission norms such as Stage V and EPA Tier 4.

Monitoring and Control

WhisperCare monitoring and control safeguards a fully controlled and perfectly managed power system.



Generator replacement system 4 - 14 kVA

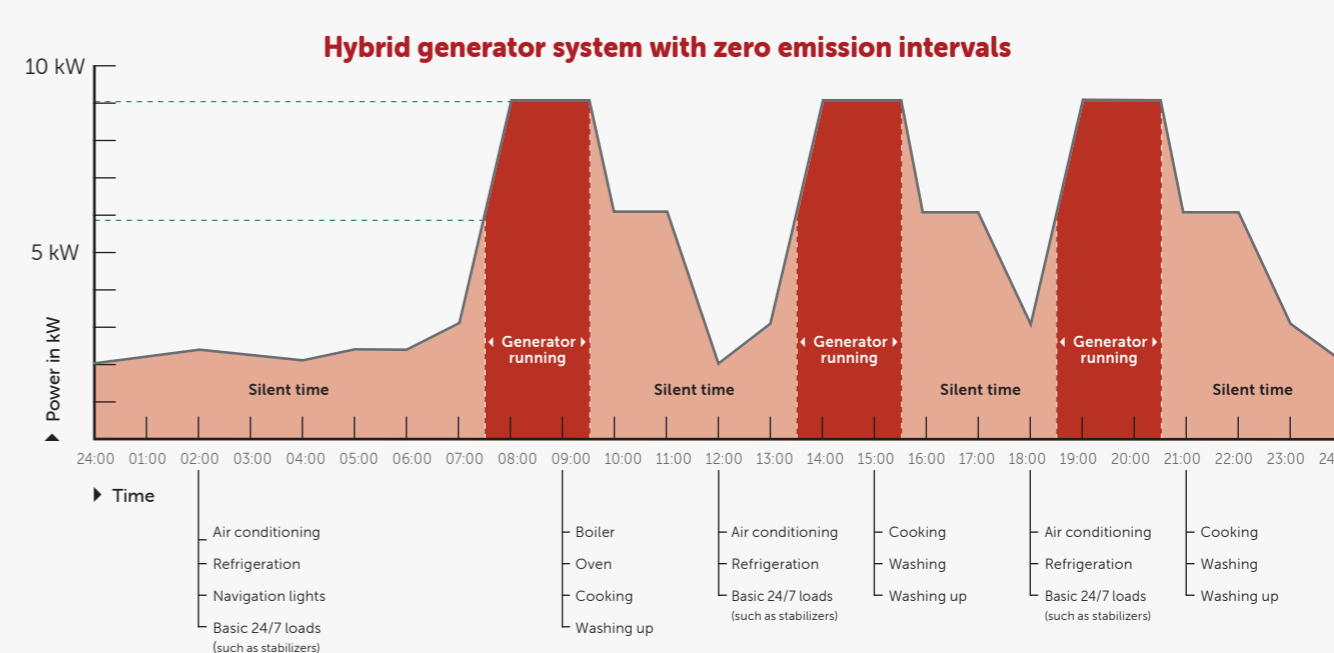
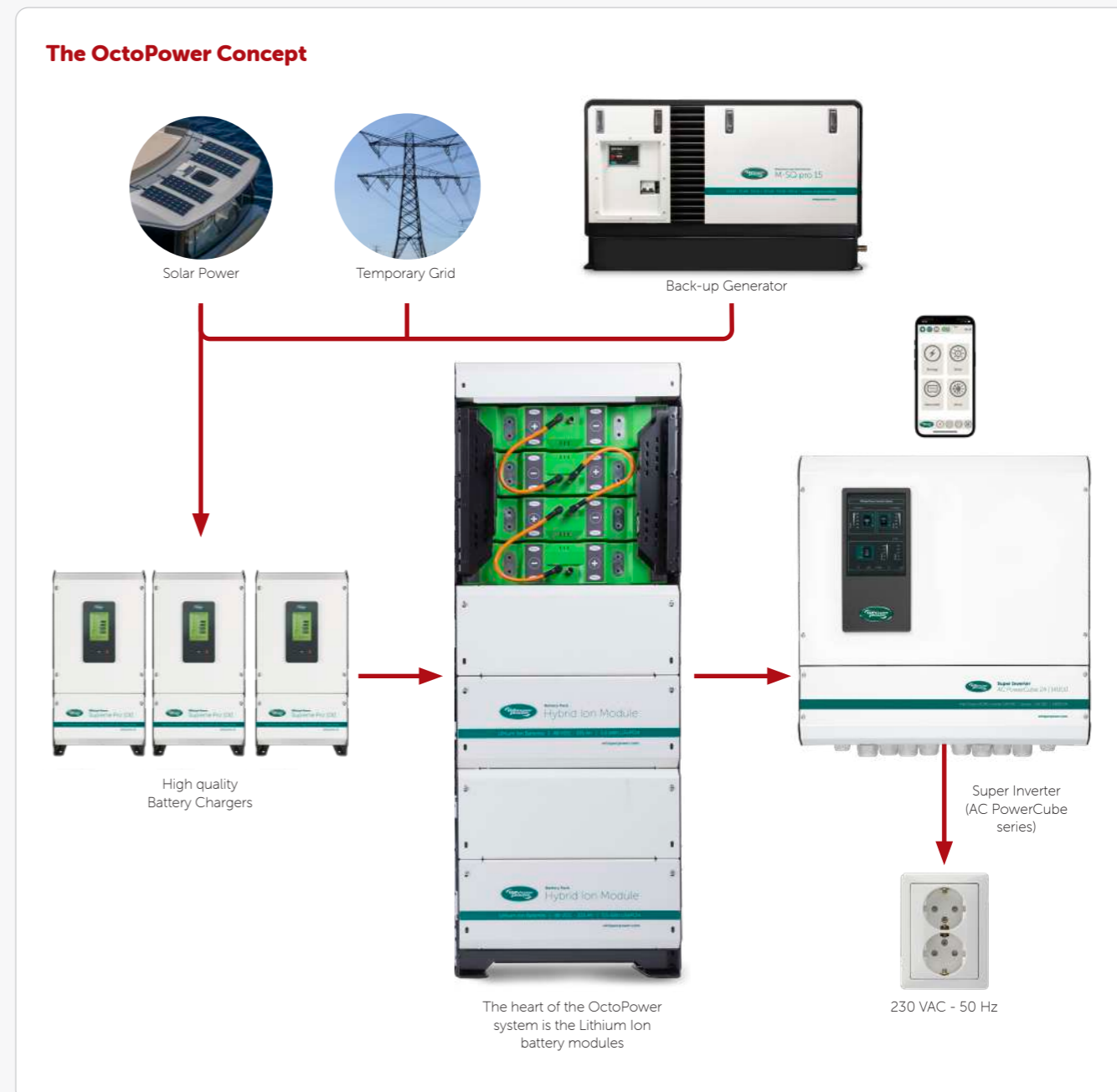
- Lithium Power Plus Storage Pack 5.5 – 21 kWh
- Super inverter for silent time, AC PowerCube 4-14 kVA
- Fast chargers, connect to shore power or WhisperPower Genset
- Global input 90-265 VAC, 50-60 Hz
- Compact & super silent generator, 8-50 kVA
- Solar input with MPP trackers
- Connection to other screens, via TOUCH 7 remote panel
- WhisperCare full service remote monitoring
- Pre-fabricated AC and DC distribution

OctoPower systems reduce CO₂ emissions up to 80%

OctoPower helps to stop wasting energy

OctoPower is an effective way for boat owners to save costs

OctoPower stops using diesel generator unnecessarily



Go to our website to learn more about our hybrid style power systems www.octopower.com



WhisperPower The Company

Established in 2007, with their headquarters in Drachten, the Netherlands, WhisperPower's ongoing mission is to deliver grid independent power systems supporting a cleaner and brighter future.

The company has since built a vast portfolio of associated power products for use in off-grid locations on land and sea. These are assembled in the 5500m² facility and distributed around the World via an ever-growing network of highly-skilled and passionate distributors and dealers. Many of WhisperPower's customers are blue-chip organisations where environmental thinking is now part of their environmental social governance.

Now with a major share of the marine, commercial, recreational and terrestrial mobile markets, WhisperPower continues to expand with the help of its own web-based TV channel, WhisperTV, it's unique Whisper Online Training Programme and an advanced website to assist customers in all fields of WhisperPower technology.

WhisperPower rolled out the first edition of low-emission hybrid diesel generators in 2010, whose quiet-running and fuel efficiency made an immediate impact on marine, mobile and off-grid applications.



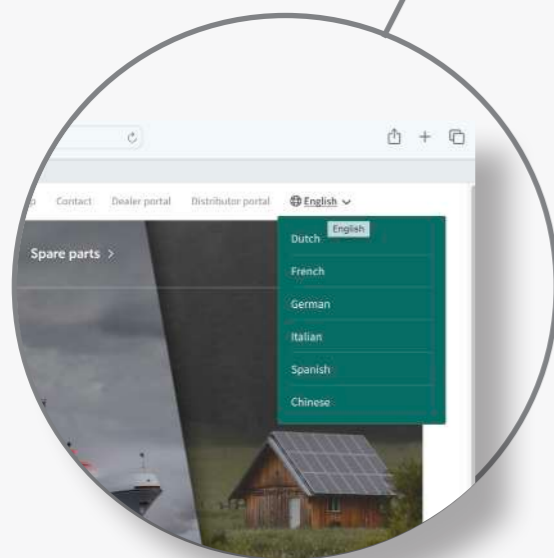
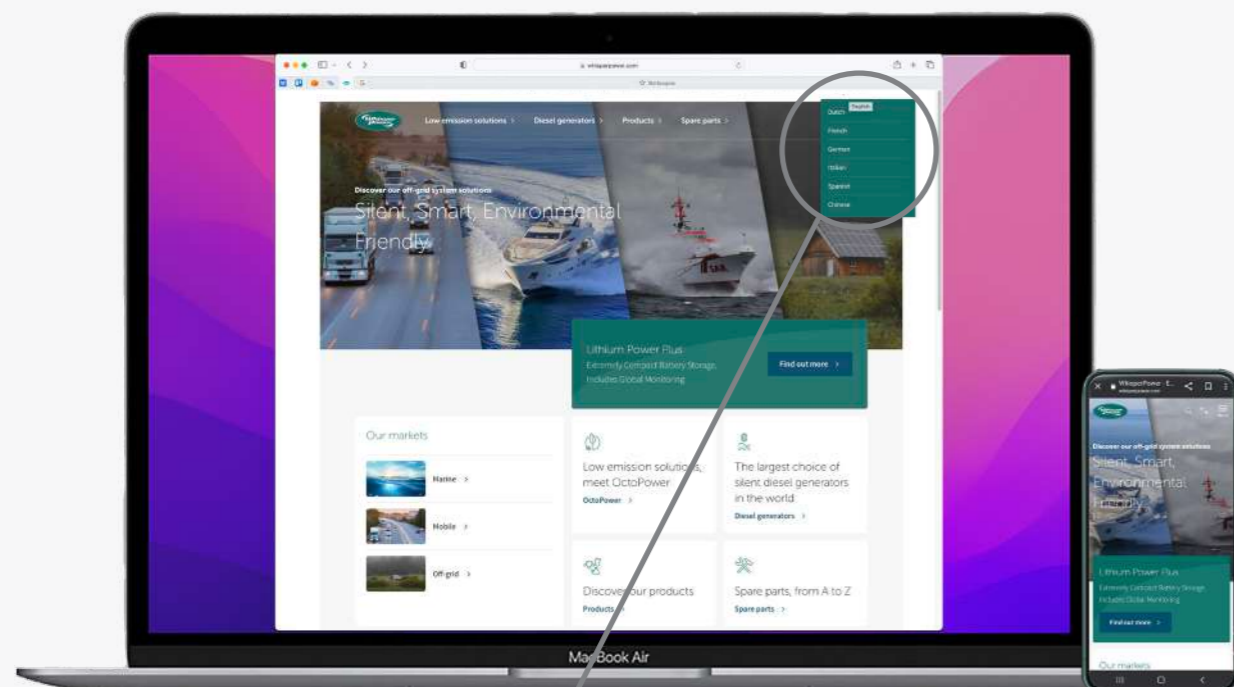
(English/ German/Spanish/French/Italian/Dutch) Available documentation



Markets Overview



(English/ German/Spanish/French/Italian/Dutch)
Visit our website(s)



At WhisperPower we don't only think about the comfort in your vehicle, or vessel. We also want you to be able to enjoy browsing our website(s) in your own language.

Visit whisperpower.com and choose the language of your preference for a optimal experience of our online services.

Distribution in over 50 countries

-  International
-  Benelux
-  Germany
-  United Kingdom
-  Spain & Portugal
-  Russia
-  China
-  Pacific
-  Americas



Your dealer:



Enjoy Green Energy

sales@whisperpower.com | whisperpower.com